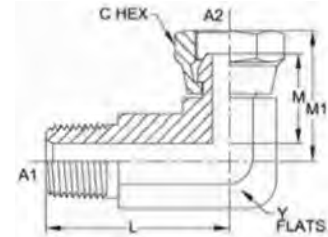


Tube Fittings & Adapters

MP-FPS 90* Long 1501-L Series

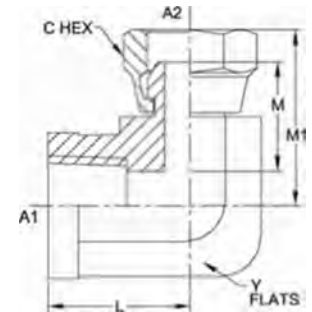


C-020

PART ND.SIZE	A1 NPTF	A2 NPSM	A1 DRILL	A2 DRILL	L LGTH	M LOTH	MI LGTH	C HEX	Y FLATS
1501-L-02-02-FG	1/8-27	1/8-27	0.188	0.150	1.64	0.70	0.84	0.562	0.438
1501-L-04-04-FG	1/4-18	1/4-18	0.281	0.220	2.25	0.88	1.07	0.688	0.562
1501-L-06-06-FG	3/8-18	3/8-18	0.406	0.340	2.76	0.99	1.20	0.875	0.750
1501-L-08-06-FG	1/2-14	3/8-18	0.531	0.340	3.19	1.04	1.25	0.875	0.875
1501-L-08-08-FG	1/2-14	1/2-14	0.531	0.460	3.19	1.11	1.39	1.000	0.875
1501-L-12-12-FG	3/4-14	3/4-14	0.719	0.635	3.66	1.30	1.65	1.250	1.062
1501-L-16-16-FG	1-11-1/2	1-11-1/2	0.938	0.831	4.33	1.54	1.89	1.500	1.312

FP-FPS 90° 1502 Series

SAE# 140231



PART NO.SIZE	A1 NPTF	A2 NPSM	A2 DRILL	L LGTH	M LGTH	MI LGTH	C HEX	Y FLATS
1502-02-02-FG	1/8-27	1/8-27	0.150	0.66	0.80	0.94	0.562	0.562
1502-02-04-FG	1/8-27	1/4-18	0.220	0.66	0.91	1.10	0.688	0.562
1502-04-02-FG	1/4-18	1/8-27	0.150	0.88	0.88	1.02	0.562	0.750
1502-04-04-FG	1/4-18	1/4-18	0.220	0.88	0.99	1.18	0.688	0.750
1502-04-06-FG	1/4-18	3/8-18	0.340	0.88	1.01	1.22	0.875	0.750
1502-06-04-FG	3/8-18	1/4-18	0.220	1.02	1.04	1.23	0.688	0.875
1502-06-06-FG	3/8-18	3/8-18	0.340	1.02	1.06	1.27	0.875	0.875
1502-06-08-FG	3/8-18	1/2-14	0.460	1.02	1.13	1.41	1.000	0.875
1502-08-04-FG	3/4-16	1/4-18	0.220	1.23	1.15	1.34	0.688	1.062
1502-08-06-FG	1/2-14	3/8-18	0.340	1.23	1.17	1.38	0.875	1.062
1502-08-08-FG	1/2-14	1/2-14	0.460	1.23	1.24	1.52	1.000	1.062
1502-08-12-FG	1/2-14	3/4-14	0.635	1.23	1.24	1.59	1.250	1.062
1502-12-08-FG	3/4-14	1/2-14	0.460	1.36	1.47	1.75	1.000	1.312
1502-12-12-FG	3/4-14	3/4-14	0.635	1.36	1.47	1.82	1.250	1.312
1502-12-16-FG	3/4-14	1-11 1/2	0.831	1.36	1.58	1.93	1.500	1.312
1502-16-12-FG	1-11 1/2	3/4-14	0.635	1.62	1.62	1.97	1.250	1.625
1502-16-16-FG	1-11 1/2	1-11 1/2	0.831	1.62	1.73	2.08	1.500	1.625
1502-20-16-FG	1 1/4-11 1/2	1-11 1/2	0.831	1.70	1.80	2.15	1.500	1.875
1502-20-20-FG	1 1/4-11 1/2	1 1/4-11 1/2	1.087	1.70	1.83	2.25	1.875	1.875
1502-24-24-FG	1 1/2-11 1/2	1 1/2-11 1/2	1.317	2.08	2.41	2.83	2.125	2.562
1502-32-32-FG	2-11 1/2	2-11 1/2	1.802	2.39	2.57	2.99	2.625	2.812