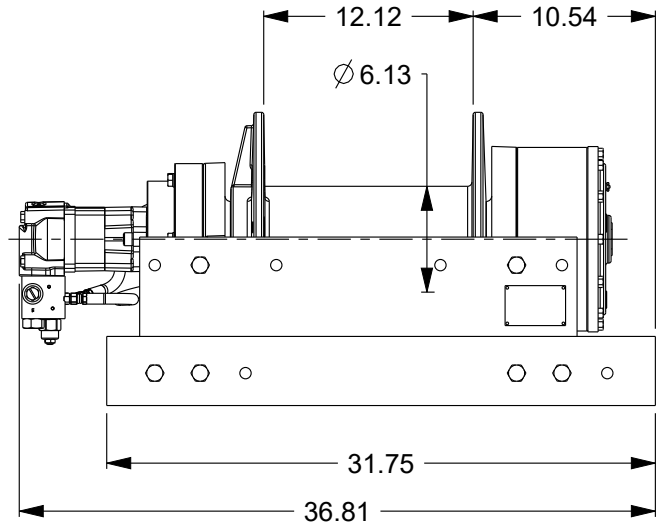
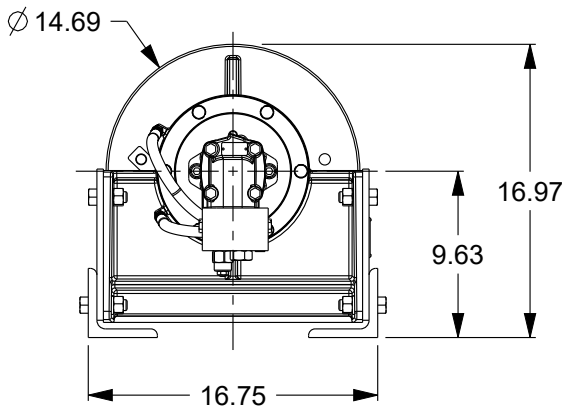
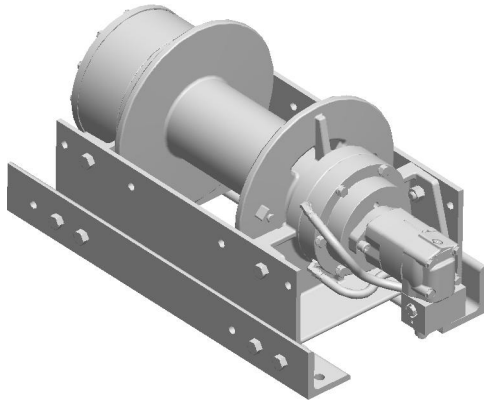


Planetary Winch

Model Code: 25AAX1L2F

Est Weight: 551 lb October 18, 2020



A Drum Capacities (ft)

Layer	Ø 9/16" Wire Rope	Ø 5/8" Wire Rope	Ø 3/4" Wire Rope
1	34	31	26
2	74	67	58
3	119	110	96
4	170	158	139
5	227	211	188
6	289	271	-
7	358*	-	-

Motor Option #2

Line Pull (lb)	Line Speed (fpm)
25000	37
21400	44
18700	50
16600	56
14900	62
13600	69
12400	75

Drum capacities are in accordance with SAE J706
 Actual capacities are usually up to 10% greater than those shown
 * Layer does not meet SAE J706 standards

Performance is based on 25 gpm @
 3000 psi with Ø9/16" wire rope.

