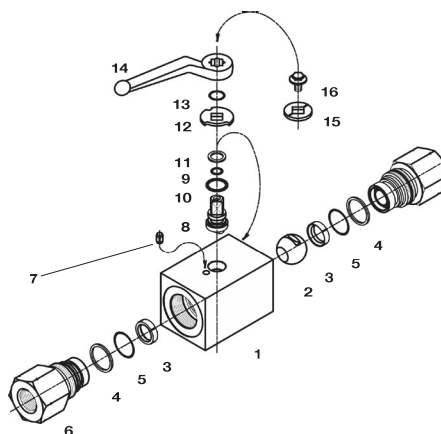


High-Pressure 800 bar / 12000 PSI Block Body Ball Valve - Type HBV-2

A



List of Components

No.	Qty.	Description
1	1	Body
2	1	Ball
3*	2	Seat
4*	2	Connector O-Ring
5*	2	Pipe Back-up Ring
6	2	Connector
7	1	Stop Pin
8	1	Stem
9*	1	Thrust Ring
10*	1	Stem O-Ring
11*	1	Pipe Back-up
12	1	Cam Plate
13	1	Snap Ring
14	1	Handle
15	1	Flow Indicator
16	1	Stem Screw

Characteristics

Two-way high-pressure block body ball valves designed for use as on/off devices for hydraulic applications (for pressures up to 800 bar / 12000 PSI)

Standard Construction

- Block body design for in-line assembly
- Supplied with off-set lever

Standard Materials

- Body: Carbon Steel, zinc/iron-plated
- Ball: Carbon Steel, hard chrome-plated
- Stem: Carbon Steel
- Lever: Carbon Steel
- Ball seat: POM, encased
- O-rings: FKM/FPM (Viton®)

Standard Connections Styles / Sizes

- Female NPT thread (ANSI B1.20.1) >1-11-1/2 NPT
- 24° Cone Connection (DIN 2353 / ISO 8434-1); >30S

Pressure Range

- Pressure range: up to 800 bar / 12000 PSI (depending on size and material combination of the ball valve)

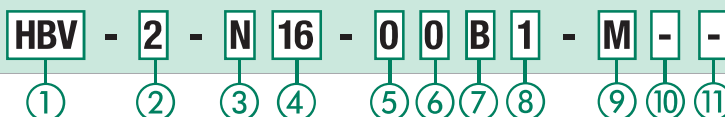
Temperature Range

- Operating temperature range: -20 °C ... +100 °C / -4 °F ... + 212 °F

Options / Accessories

- Alternative lever designs/materials (see page 114)
- Locking devices (see pages 115-117)
- Actuator packages (see page 118)
- Limit switches (see page 118)
- Additional assembling threads / holes (see page 119)
- Stainless Steel body
- Stainless Steel ball and stem
- Special ball seat and O-ring materials available for lower/higher temperatures and more aggressive media
- Seal kits (including items marked by * in the above list)

Order Codes



① Type

High-Pressure Block Body Ball Valve **HBV**

② Number of Ports

Two Ports (Two-Way Ball Valve) **2**

③ Connection Style

Female NPT Thread (ANSI B1.20.1) **N**
24° Cone Connection (Heavy Series) **—**

Please contact STAUFF for alternative connection styles.

④ Connection Size

STAUFF Size (according to dimension table) for connection style N:

04 06 08 12 16

Tube Size (according to dimension table) for 24° Cone Connection (Heavy Series):

08S 10S 12S 14S 16S 20S 25S 30S

Please contact STAUFF for alternative connection sizes.

⑤ Body Material / Surface Finishing

Carbon Steel, zinc/iron-plated **0**
Stainless Steel V4A (AISI 316Ti) **1**

Alternative materials / surface finishings are available upon request. Contact STAUFF for further information.

⑥ Ball / Stem Material

Ball: Carbon Steel, hard chrome-plated **0**
Stem: Carbon Steel **0**
Ball / Stem: Stainless Steel V4A (AISI 316Ti) **1**

Alternative materials / surface finishings are available upon request. Contact STAUFF for further information.

⑦ Ball Seat Material

POM, encased **B**

Alternative materials are available upon request. Contact STAUFF for further information.

⑧ O-Ring Material

NBR (Buna-N®) **0**
FKM/FPM (Viton®) **1**

Alternative materials are available upon request. Contact STAUFF for further information.

⑨ Manufacturing Code

Manufacturing code for all connection styles **M**

⑩ Lever Options

Supplied with standard lever (according to table) **—**
Supplied without lever **O**

Alternative levers can be ordered separately. Please see page 114 for further information.

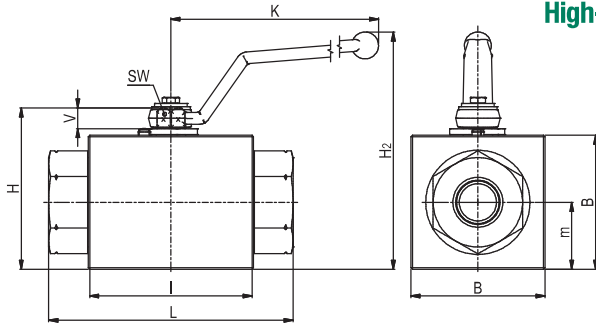
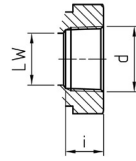
⑪ Accessories / Options

Supplied without accessories **—**
Supplied with Locking Device LD1 **LD1**
Supplied with Locking Device LD4 **LD4**

Please see page 115-119 for further information and options.



High-Pressure 800 bar / 12000 PSI Block Body Ball Valve ■ Type HBV-2 Female NPT Thread (ANSI B1.20.1)


**Female NPT Thread
(ANSI B1.20.1)**


When ordering the standard option as indicated in the table below, the following materials will be supplied:

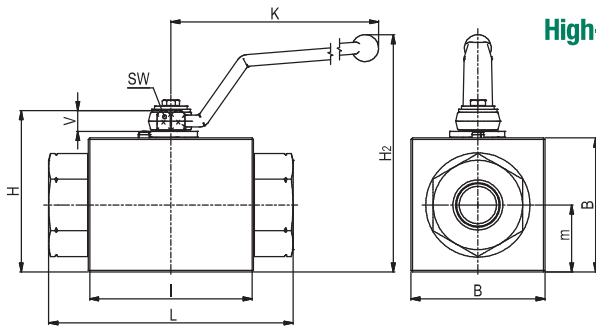
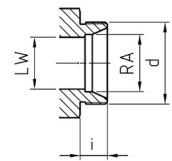
- Body, ball and stem: Carbon Steel
- Lever: Carbon Steel
- Ball seat: POM, encased
- O-rings: FKM/FPM (Viton®)

A

STAUFF Size	Thread Size d	Nominal Size DN	Dimensions (mm/in)											Nom. Pressure (bar/PSI)	Weight (kg/lbs)	Order Codes (Standard Option)
			LW	L	I	B	H	m	V	SW	K	i	H2			
04	1/4-18 NPT	6	6	130	76	50	64	25	11	9	115	13,7	101	800	1,92	HBV-2-N04-00B1-M
			.39	8,44	4,94	3,25	4,16	1,62	.71	.58	4,53	.89	3,98	12000	4,22	
06	3/8-18 NPT	10	13	130	76	50	64	25	11	9	115	13,5	101	800	1,85	HBV-2-N06-00B1-M
			.84	8,44	4,94	3,25	4,16	1,62	.71	.58	4,53	.88	3,98	12000	4,07	
08	1/2-14 NPT	13	13	130	76	50	64	25	11	9	115	17	101	800	1,79	HBV-2-N08-00B1-M
			.84	8,44	4,94	3,25	4,16	1,62	.71	.58	4,53	1,10	3,98	12000	3,93	
12	3/4-14 NPT	20	20	161	111	90	108	45	14	14	171	18,3	159	800	7,83	HBV-2-N12-00B1-M
			1,30	10,45	7,21	5,84	7,01	2,92	.91	.91	6,73	1,19	6,26	12000	17,23	
16	1-11-1/2 NPT	25	25	164	111	90	108	45	14	14	171	21,6	159	800	7,68	HBV-2-N16-00B1-M
			1,62	10,65	7,21	5,84	7,01	2,92	.91	.91	6,73	1,40	6,26	12000	16,90	

Please note the pressure ratings of the tube connections.

High-Pressure 800 bar / 12000 PSI Block Body Ball Valve ■ Type HBV-2 24° Cone Connection ■ Heavy Series (DIN 2353 / ISO 8434-1)


**24° Cone Connection
(DIN 2353 / ISO 8434-1)**


When ordering the standard option as indicated in the table below, the following materials will be supplied:

- Body, ball and stem: Carbon Steel
- Lever: Zinc
- Ball seat: POM, encased
- O-rings: FKM/FPM (Viton®)

Union nuts and cutting rings are not included in delivery.

STAUFF Size	Tube/Thread Size d	Nominal Size DN	Dimensions (mm/in)											Nom. Pressure (bar/PSI)	Weight (kg/lbs)	Order Codes (Standard Option)	
			RA	LW	L	I	B	H	m	V	SW	K	i	H2			
02	08S / M16 x 1,5	4	8	5	110	76	50	64	25	11	9	115	12	101	800	1,60	HBV-2-08S-00B1-M
			.31	.20	4,33	2,99	1,97	2,52	.98	.43	.35	4,53	.47	3,98	12000	3,52	
04	10S / M18 x 1,5	6	10	6	114	76	50	64	25	11	9	115	12	101	800	1,60	HBV-2-10S-00B1-M
			.39	.24	4,49	2,99	1,97	2,52	.98	.43	.35	4,53	.47	3,98	12000	3,52	
05	12S / M20 x 1,5	8	12	8	114	76	50	64	25	11	9	115	12	101	800	1,64	HBV-2-12S-00B1-M
			.47	.31	4,49	2,99	1,97	2,52	.98	.43	.35	4,53	.47	3,98	12000	3,61	
06	14S / M22 x 1,5	10	14	13	114	76	50	64	25	11	9	115	14	101	800	1,56	HBV-2-14S-00B1-M
			.55	.51	4,49	2,99	1,97	2,52	.98	.43	.35	4,53	.55	3,98	12000	3,43	
08	16S / M24 x 1,5	13	16	13	114	76	50	64	25	11	9	115	14	101	800	1,58	HBV-2-16S-00B1-M
			.63	.51	4,49	2,99	1,97	2,52	.98	.43	.35	4,53	.55	3,98	12000	3,48	
08	20S / M30 x 2	13	20	13	118	76	50	64	25	11	9	115	16	101	800	1,63	HBV-2-20SDN13-00B1-M
			.79	.51	4,65	2,99	1,97	2,52	.98	.43	.35	4,53	.63	3,98	12000	3,59	
12	25S / M36 x 2	20	25	20	162	111	90	108	45	14	14	171	18	159	800	7,31	HBV-2-25S-00B1-M
			.98	.79	6,38	4,37	3,54	4,25	1,77	.55	.55	6,73	.71	6,26	12000	16,08	
16	30S / M42 x 2	25	30	25	166	111	90	108	45	14	14	171	20	159	800	7,40	HBV-2-30S-00B1-M
			1,18	.98	6,54	4,37	3,54	4,25	1,77	.55	.55	6,73	.79	6,26	12000	16,28	

Please note the pressure ratings of the tube connections.

