

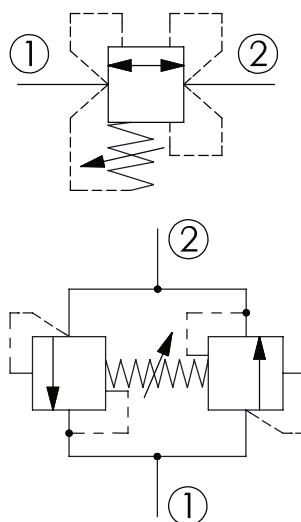
CCR-3A - Relief valve

Bi-directional direct-acting

1 Available versions

Ordering example:

CCR-3A	-20	-C	-L
Type	Operation	Spring	Option



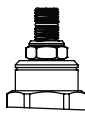
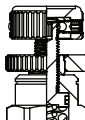
Operation

Coding	Description
20	Standard type

Spring

Coding	Pressure (bar)	
	Adjustment range	Standard setting
C	105 - 420	105
W	55 - 315	70

Option

Coding	Description	
L	Leakproof hex. socket screw	
K	Handknob with lock knob	

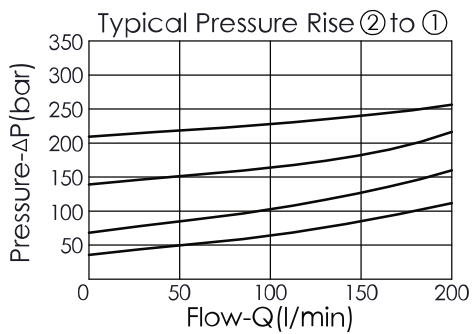
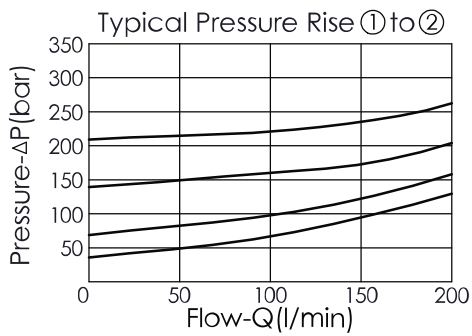
2 Technical data

Operating pressure p_{\max}	350 bar
Flow rate Q_{\max}	120 l/min
Installation torque	60 - 70 Nm
Cavity	T-3A
Weight	0.30 kg

i INFORMATION

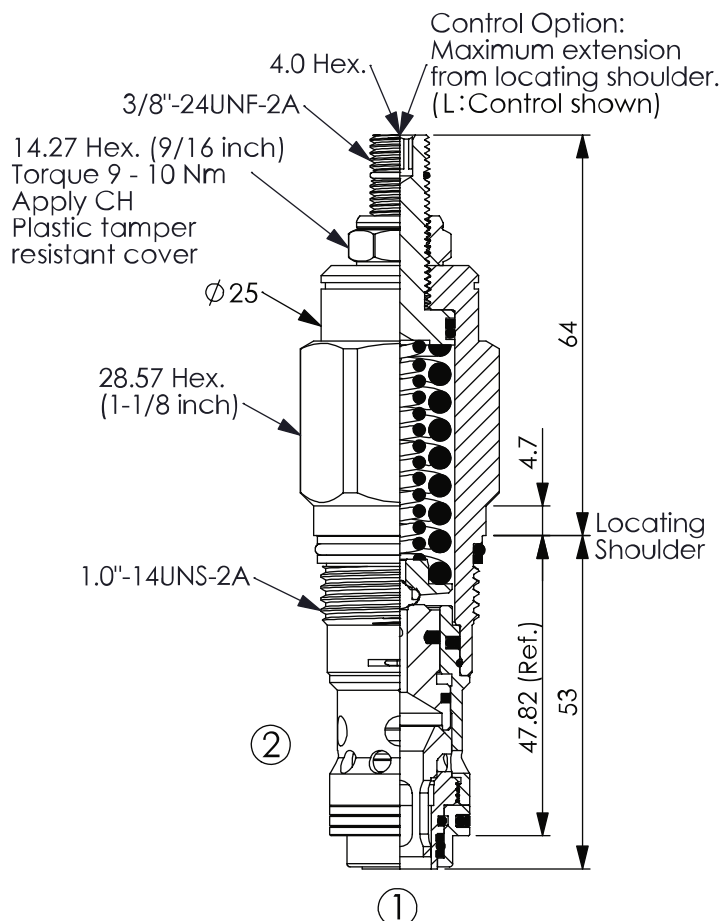
- Response time-typical (2 ms)
- Maximum leakage approximately (0.7 cm³/min)
- Dirt tolerant

Characteristic lines



3 Dimensions

All dimensions in mm, subject to change.



4 Other information

see [Technical information HAWE cartridge valves: D 8219](#)

see [Recommendation for hydraulic fluid: D 5488/1](#)

