

### Modular Valve Series

5.2 to 79 gpm  
3000, 3600, 5000 psi

#### Overview

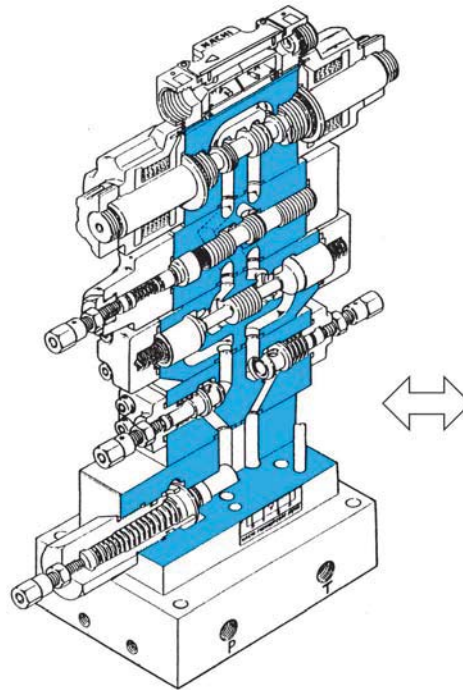
The modular valve is designed and engineered to integrate multiple hydraulic valve operations into a single unit, which eliminates the need for piping between valves and enables configuration of a

circuit using a single modular valve. The result is an innovative valve system whose energy and materials efficiency provide advantages in terms of

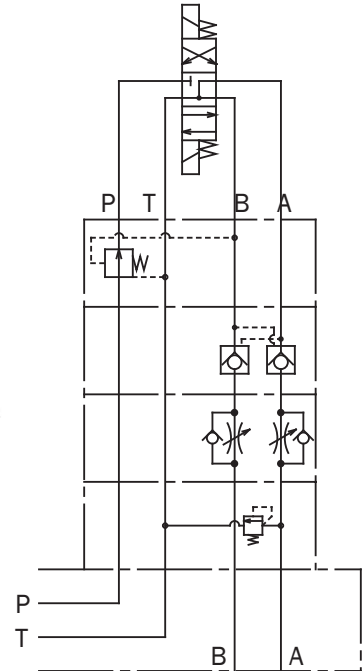
compact configuration, reliability, and more. The illustrations below show one example of a circuit configuration using this system.

#### Features

- 1 High pressure and high volume. Available maximum operating pressure operations are 3000, 3600, and 5000 psi, while maximum control flow rates are G01 13 gpm, G03 26 gpm, G04 79 gpm.
- 2 Ganging and bolting format allows for quick and easy circuit configuration as well as circuit changes and additions.
- 3 Compact module configurations greatly reduce space requirements.
- 4 Maintenance costs are also reduced because less piping and fewer couplings mean less need for acid rinsing and flushing of pipes.
- 5 Fewer fluid leak problems due to pipe resonance, noise, and loose couplings.
- 6 Circuit configuration is simple yet exact. Nameplates on the side of the valve show ISO codes that make it quick and easy to determine its performance.
- 7 A full lineup of models is available to meet a wide range of needs and circuit configurations: Model G01 (D03), G03 (D05), G04 (D07).



Integrated Structural Diagram



Integrated Circuit Diagram

#### Specifications

Name	Nominal Diameter (Size)	Maximum Working Pressure psi	Maximum Flow Rate gpm	Gasket Surface Dimensions	Possible Number of Ganged Valves (Note 2)
O1 Series	1/8	3600 (Note 1)	13	ISO 4401-03-02-0-94	1 to 4
O3 Series	3/8	3600 (Note 1)	26	ISO 4401-05-04-0-94	1 to 4
O4 Series	1/2	5000	79	ISO 4401-07-06-0-94	1 to 3 (Note 3)

- Note) 1. The M35 Series is available as a 5000 psi maximum operating pressure version of the O1 and O3 Series. For details, see pages F92 and F93.  
 2. The number of ganged valves does not include solenoid valves.  
 3. Up to four valves can be ganged together if the maximum operating pressure is less than 3000 psi.

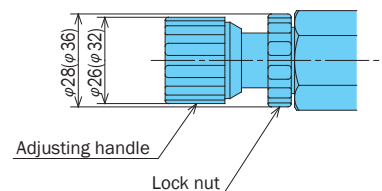
#### K Series Modular Valve

The valve shown in the photograph is available with nominal diameter O1 and O3 size adjusting bolts. Use the following format for specification.

**Example: OCY-G01-W-Y-K-20**



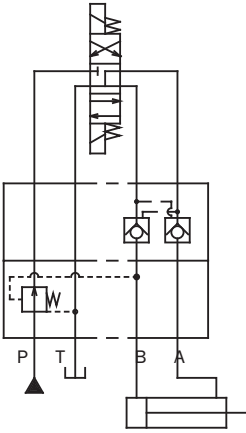
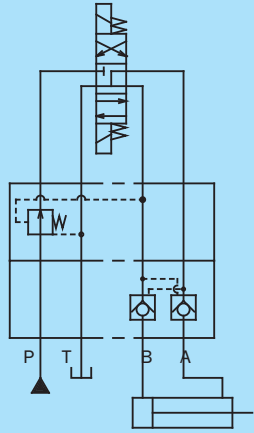
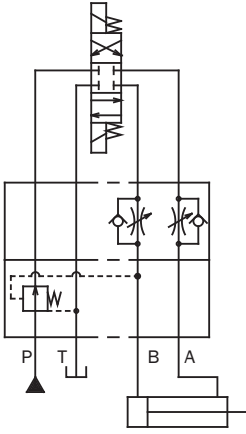
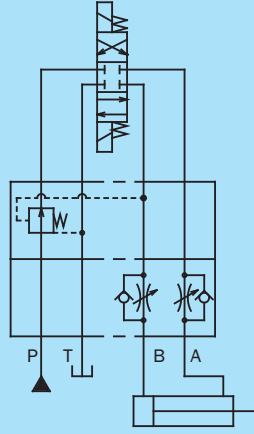
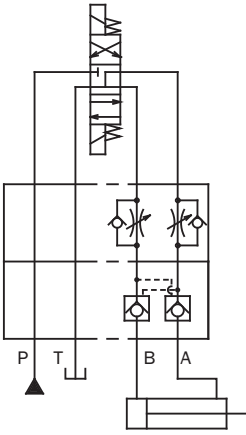
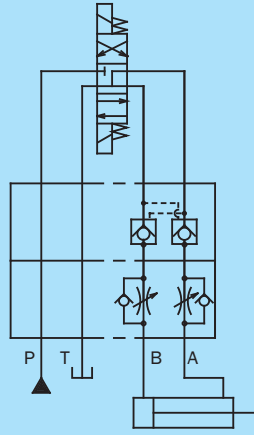
Auxiliary symbol  
K: With handle



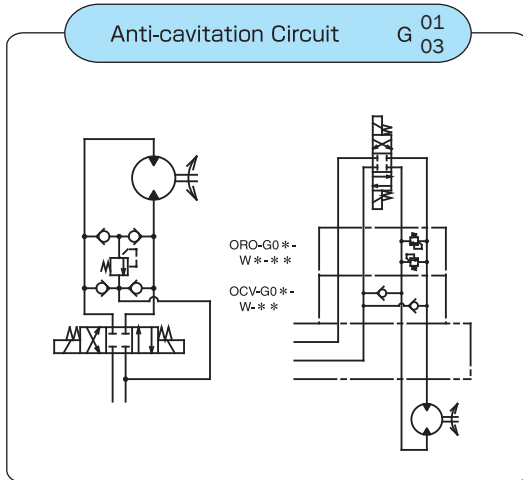
Dimensions in parentheses indicate nominal diameter O3.

## Precautions when Ganging Modular Valves

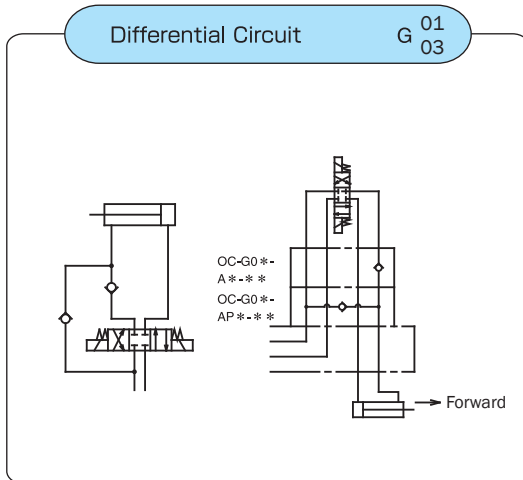
Note the following precautions when ganging modular valves together in the applicable example circuits.

Circuit Diagram	Description	Incorrect	Correct
<p>Locking Circuit and Pressure Reducing Circuit</p>	<ul style="list-style-type: none"> <li>● Cylinder position not maintained</li> <li>○ Leaks occur because, during the pilot check, the line being maintained flows into the pilot line of the reducing valve.</li> </ul>	<p>Solenoid</p> <p>Pilot Operate Check Modular Valve (AB Line)</p> <p>Pressure Reducing Modular Valve (B Line)</p> 	
<p>Pressure Reduction Circuit with Speed Control</p>	<ul style="list-style-type: none"> <li>● Insufficient cylinder output and drop in speed</li> <li>○ Pressure increases due to the restrictor effect of the flow regulator. Since the pilot runs from that line, pressure reduction makes smooth operation impossible.</li> </ul>	<p>Solenoid</p> <p>Flow Regulator Modular Valve (A, B Line, Meter Out)</p> <p>Pressure Reducing Modular Valve (B Line)</p> 	
<p>Locking Circuit and Speed Control Circuit</p>	<ul style="list-style-type: none"> <li>● Cylinder knocking</li> <li>○ Pressure is increased by the restrictor effect of the flow regulator. That pressure moves the pilot check in the closed direction, which causes the valve to repeatedly open and close.</li> </ul>	<p>Solenoid</p> <p>Flow Regulator Modular Valve (A, B Line, Meter Out)</p> <p>Pilot Operate Check Modular Valve (AB Line)</p> 	

## Valve Ganging Configuration Examples

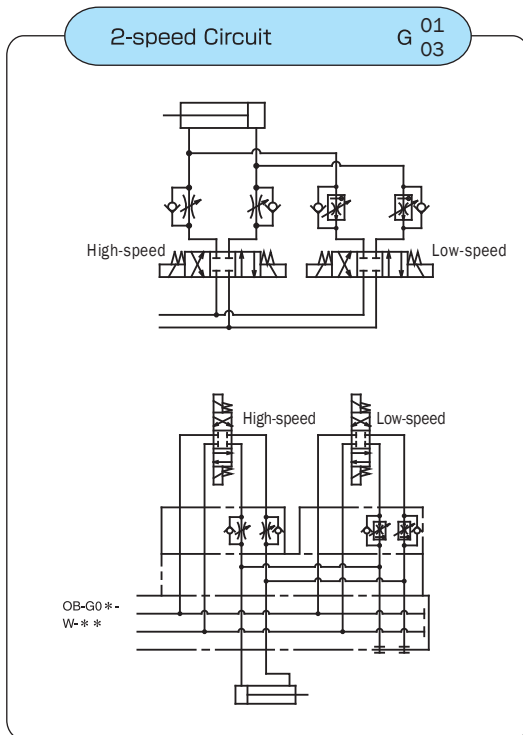


- Surge pressure is prevented by the inertia of the actuator, and cavitation by fluid being sucked in through the opposite port, which is in negative pressure, is prevented.
- Example Valve Model Numbers (G03)  
Relief Valve \_\_\_\_\_ ORO-G03-W\*-J50  
Vacuum Check Valve \_\_\_\_\_ OCV-G03-W-J50



- When the cylinder advances, the rod side return fluid returns to the P port and the pump discharge rate and confluence are advanced at high speed (differential).
- Example Valve Model Numbers (G03)  
Check valve \_\_\_\_\_ OC-G03-A\*-J50  
Differential check valve \_\_\_\_\_ OC-G03-AP\*-J50

Important:  
Cylinder effective output is the rod surface area portion only.



- This type of circuit allows variation between two actuator speeds. It prevents low-speed shock when the actuator starts up or stops, and is used when the intermediate stroke is operated at high speed.
- Example Valve Model Numbers (G03)  
2-speed Plate \_\_\_\_\_ OB-G03-W-(H)-J30  
High-speed Flow Regulator Valve \_\_\_\_\_ OCY-G03-W-Y-J51  
Low-speed Flow Control Valve \_\_\_\_\_ OCF-G03-W60-Y-J50

# G01 Modular Valve Series

Type	Name	Valve Model Number	Pressure Adjustment Range (Check Valve Cracking Pressure) psi	Maximum Flow Rate gpm	JIS Symbol	Height in	Weight lbs	Catalog Page
Solenoid Valves	Solenoid Valve	SS-G01-**-R**-31 SA-G01-**-**-31		13				D-4 D-16
Pressure Control Valves	Relief Valves (Balance Type)	OR-G01-P $\frac{1}{3}$ -20		13		1.57	3.3	F-10
		-W $\frac{1}{3}$ -20	1: 145 to 1000				5.0	
		-A $\frac{1}{3}$ -21	3: 500 to 3600				3.5	
		-B $\frac{1}{3}$ -21						
	Brake Valves (Direct Type)	ORO-G01-W $\frac{1}{3}$ -20		5.2		1.57	3.3	F-16
		-A $\frac{1}{3}$ -20	1: 115 to 1000				3.0	
		-B $\frac{1}{3}$ -20	3: 500 to 3600					
	Direct Relief Valves (Direct Type)	ORD-G01-W $\frac{1}{3}$ -20		5.2		1.57	3.3	F-20
		-A $\frac{1}{3}$ -20	1: 115 to 1000				3.0	
		-B $\frac{1}{3}$ -20	3: 500 to 3600					
	Reducing Valves (Direct Type)	OG-G01-P $\frac{C}{1-21}$ $\frac{2}{2}$		13		1.57	2.8	F-25
		$\frac{C}{1-21}$ $\frac{2}{2}$	C: 20 to 500					
		$\frac{C}{1-21}$ $\frac{2}{2}$	1: 115 to 1000 2: 500 to 3000					
	Balance Type Reducing Valves	OGB-G01-P $\frac{C}{1-20}$ $\frac{3}{3}$		10.5		1.57	4.1	F-32
		$\frac{C}{-A 1-20}$ $\frac{3}{3}$	C: 20 to 500					
$\frac{C}{-B 1-20}$ $\frac{3}{3}$		1: 115 to 1000 3: 500 to 3000						
Reducing Valves (Direct Type)	OG-G01-A $\frac{C}{1-E21}$ $\frac{2}{2}$		10.5		1.57	2.8	F-34	
	OG-G01-B $\frac{C}{1-E21}$ $\frac{2}{2}$	C: 20 to 500 1: 115 to 1000 2: 500 to 3000						
Pressure Control Valves (Sequence Valves)	OQ-G01-P2 $\frac{1}{3}$ -20		1: 115 to 1000 3: 500 to 3000	10.5		1.57	2.4	F-44
Pressure Control Valves (Counter Balance Valves)	OCQ-G01-A1 $\frac{1}{2}$ -20		1: 115 to 1000 2: 500 to 2000	10.5		1.57	2.4	F-47
Pressure Switches	OW-G01-P $\frac{C}{1-R}$ -**-30		C: 72 to 500	13		1.57	3.9	F-52
	-W $\frac{C}{1-R}$ -**-30	1: 115 to 1000 3: 500 to 3000	5.7					
	-A $\frac{C}{1-R}$ -**-30	Contact Capacitance AC 125V:5A DC 12V:2.2A DC 24V:1.1A	3.9					
	-B $\frac{C}{1-R}$ -**-30							
Flow Control Valve	Flow Regulator Valve	OY-G01-T-20		13		1.57	2.2	F-55
	Flow Regulator Valves with Check	OCY-G01-P-20	5.8					
	Meter-Out Flow Regulator Valves	OCY-G01-W-Y-20		11.6	13	1.57	2.8	F-55
		-A-Y-20					2.6	
		-B-Y-20						

# G01 Modular Valve Series

Type	Name	Valve Model Number	Pressure Adjustment Range (Check Valve Cracking Pressure) psi	Maximum Flow Rate gpm	JIS Symbol	Height in	Weight lbs	Catalog Page	
Flow Control Valves	Meter-in Flow Regulator Valve	OCY-G01-W-X-20	11.6	13		1.57	2.8	F-55	
		-A-X-20					2.6		
		-B-X-20					2.6		
	Flow Control Valve (compensated)	OF-G01-P20-20	(Control Flow Rate) Differential Pressure 1000: 2.6 to 10.5 Differential Pressure 3000: .13 to 10.5	10.5		1.57	2.6	F-63	
	Meter-out Flow Control Valves (compensated)	OCF-G01-W40-Y-30	3.7						
		-A40-Y-30	3.3						
		-B40-Y-30	3.7						
	Meter-in Flow Control Valves (compensated)	OCF-G01-W40-X-30	(Control Flow Rate) Differential Pressure 1000: 2.6 to 10.5 Differential Pressure 3600: .13 to 10.5				3.7		
		-A40-X-30	3.3						
	Direction Control Valve	Check Valves	OC-G01-P 1 2-20 3	Cracking pressure 1: 5.8 2: 50 3: 72 *For differential circuit	13		1.57	2.2	F-69
1 T2-20 3			2.6						
1 -A 2-21 * 3			2.2						
1 -AP 2-20 * 3			2.2						
Vacuum Check Valves		OCV-G01-W-20	2	13		1.57	2.2	F-76	
Pilot Check Valves		OCP-G01-W 1 2(F)-21	Cracking pressure 1: 29 2: 72	13		1.57	2.6	F-76	
		-A 1 2(F)-21	(Auxiliary Symbol) Open Valve Ratio Standard: Parent Valve 37% F: Child Valve 6% : Parent Valve 51%						
	-B 1 2(F)-21								
Composite Valves	2-pressure Reducing Valves	OGS-G01-P C 1 C-K(R)-**-.22 High pressure side Low pressure side Power supply : C1, C2, D1, D2	C: 29 to 500 1: 115 to 1000 2: 500 to 2000	10.5		3.5	10.5	F-41	
Other	Gauge Modular Blocks	OK-G01-P-(H)-E20	-	13		1	1.3	F-81	
		-T-(H)-E20					1.3		
		-W-(H)-E20					1.3		
	2-speed Plates	OB-G01-W-(H)-20	-	13		1	3.3	F-83	
	End Plates	MOB-G01-(H)-10	-	-	-		20 1.41	0.3 0.6	F-85
		Free-flow plate	MOB-G01-A-10	13		1.41	0.6		
	Base Blocks (Multi-block)	MOB -01X-B*-10	B: A, B ports *: Sequential number from 2 to 6 Single side outlet	-	-		-	-	F-90
		-01Y-W*-10	W: A, B ports Sequential number from 1 to 6 Dual side outlet	-	-		-	-	F-90
Sub Plate	MSA-01Y-10 MSA-01Y-T-10	None: Back side outlet T: Side outlet	-	-		-	-	H-4	

# G03 Modular Valve Series

Type	Name	Valve Model Number	Pressure Adjustment Range (Check Valve Cracking Pressure) psi	Maximum Flow Rate gpm	JIS Symbol	Height in	Weight lbs	Catalog Page
Solenoid Valves	Solenoid Valves	SS-G03-**-R-**-E21-21 SA-G03-**-** -E21-21		26				D-4 D-16
Pressure Control Valve	Relief Valves (Balance Type)	OR-G03-P $\frac{1}{3}$ -E50	1: 1000 3: 500 to 3600  (Auxiliary Symbol) V: With vent port	21		2.1	6.8	F-10
		-W $\frac{1}{3}$ -E50					8.5	
		-A $\frac{1}{3}$ -E50					6.8	
		-B $\frac{1}{3}$ -E50					6.8	
		OR-G03-P $\frac{1}{3}$ -V-J50					6.8	
	Brake Valves (Direct Type)	ORO-G03-W $\frac{1}{3}$ -J50	1: 115 to 1000 3: 500 to 3600	7.9		2.1	10.5	F-16
		-A $\frac{1}{3}$ -J50					8.8	
		-B $\frac{1}{3}$ -J50					8.8	
	Direct Relief Valves (Direct Type)	ORD-G03-W $\frac{1}{3}$ -J50	1: 115 to 1000 3: 500 to 3600	7.9		2.1	8.5	F-20
		-A $\frac{1}{3}$ -J50					6.8	
		-B $\frac{1}{3}$ -J50					6.8	
	Reducing valve	OG-G03-P $\frac{C}{1-(B)-E51}$	C: 36 to 500 1: 115 to 1000 3: 500 to 3000	21 However, C: 13		2.1	7.9	F-25
-A $\frac{C}{1-(B)-E51}$		7.9					F-34	
-B $\frac{C}{1-(B)-E51}$		7.9					F-34	
Pressure Control Valves (Sequence Valves)	OQ-G03-P2 $\frac{A}{C-J50}$ E	A: 36 to 125 C: 125 to 500	21		2.1	7.7	F-44	
	OCQ-G03-A1 $\frac{A}{C-J50}$ E -B1C-J50 E	E: 500 to 2000				7.7		F-47
Flow Control Valve	Flow Regulator Valve	OCY-G03 $\frac{-P}{-P-H}$ -J50	(Function) H: High differential pressure regulator 14.5	26		2.1	6.3	F-55
	Meter-Out Flow Regulator Valves	-W-Y -W-HY -J51					6.8	
		-A-Y -A-HY -J51					6.8	
		-B-Y -B-HY -J51					6.6	

\*There is no problem with seals and other parts when mixing these valves with NACHI G03 modular valve design number (J) 30 valves.

\*G03 module valve installation bolts  
For M6: Design number J50  
For M8: Design number 50  
For E: 1/4 - 20UNC  
Unit has commonality. Also, two J-pins have been inserted diagonally for M6 applications.

Note: G03 series modular valves have two T port locations: one on the A port side T<sub>(A)</sub> and one on the B port side T<sub>(B)</sub>. The port that is used depends on the model number.

# G03 Modular Valve Series

Type	Name	Valve Model Number	Pressure Adjustment Range (Check Valve Cracking Pressure) psi	Maximum Flow Rate gpm	ISO Symbol	Height in	Weight lbs	Catalog Page	
Flow Control Valve	Meter-in Flow Regulator Valve	OCY-G03 -W-X -J51 -W-HX -J51	(Function) H: High differential pressure regulator  14.5	26		2.16	6.8	F-55	
		-A-X -J51 -A-HX -J51							
		-B-X -J51 -B-HX -J51							
	Flow Control Valve (compensated)	OF-G03-P60-J50	(Control Flow Rate) Differential Pressure 1000: .07 to 15.8 Differential Pressure 3600: .13 to 15.8				6.8		
	Meter-out Flow Control Valves (compensated)	OCF-G03-W60-Y-J50	(Volume control flow rate) Differential Pressure 1000: .13 to 15.8 Differential Pressure 3600: .02 to 15.8	15.8		2.16	11	F-63	
		-A60-Y-J50					10.1		
		-B60-Y-J50					11		
	Meter-in Flow Control Valves (compensated)	OCF-G03-W60-X-J50	(0.1(1))				11		
		-A60-X-J50					10.1		
		-B60-X-J50							
Direction Control Valve	Check Valves	1 OC-G03-P 2-J50 3	Cracking pressure 1: 5.8 2: 50 3: 72 *For differential circuit 	26		2.16	5.9	F-69	
		1 T 2-J50 3							
		1 -A 2-J50 * 3							
		1 -AP 2-J50 * 3							
	Vacuum Check Valves	OCV-G03-W-J50	2.1	26		2.16	7.7	F-69	
	Pilot Check Valves	1 OCP-G03-W 1/2 (D)-J50	Cracking pressure 1: 29 2: 72 (Auxiliary Symbol) Open Valve Ratio Standard : Child Valve 7% : Parent Valve 49% D : Parent Valve 49%	26		2.16	7.9	F-76	
1 -A 1/2 (D)-J50									
1 -B 1/2 (D)-J50									
Other	Gauge Block	OK-G03-E50		26		2.16	5.0	F-81	
	2-speed Plates	OB-G03-W-(H)-J30		26				F-83	
	End Plates	MOB-G03-J50: For M6 MOB-G03-(H)-50: For M8		-			1.25 (H:58)	1.4 (H:2.5)	F-85
		MOB-G03-A-J50: For M6 MOB-G03-A-(H)-50: For M8		26			1.25 (H:58)	1.3 (H:2.3)	
	Free Flow	MOB-G03-B-J50: For M6 MOB-G03-B-(H)-50: For M8			26				F-85
		MOB-G03-A-J50: For M6 MOB-G03-A-(H)-50: For M8			26				
	Conversion plate (For 03/01 conversion)	MOB-G03-AA-50 MOB-G03-AA-J50			13		1.77	5.0	
	Base Blocks	MOB-03-B*-J30	*:Sequential number from 2 to 5 A, B port dual side outlet						F-91
Sub Plate	MSA-03-E10 MS-03(X)-E10 MSA-03(X)-T-E10 MS-03(X)-T-E10	Bottom Outlet Bottom Outlet Side outlet Side outlet						D-9	
								H-5	

# G03 Modular Valve Series Detailed ISO Symbols

Type	Valve Model Number	Detailed ISO Symbols	Type	Valve Model Number	Detailed ISO Symbols	
Solenoid Valves	SS-G03-**-R-**-E21 -21 SA-G03-**-*** -E21 -21 <small>For M6, M8</small>		Flow Control Valve	OF-G03-P60-J50		
	Pressure Control Valve	OR-G03-P 1/3-E50			OCF-G03-W60-Y-J50	
OR-G03-W 1/3-E50				OCF-G03-A60-Y-J50		
OR-G03-A 1/3-E50				OCF-G03-B60-Y-J50		
OR-G03-B 1/3-E50				OCF-G03-W60-X-J50		
OR-G03-P 1/3-V-J50				OCF-G03-A60-X-J50		
ORO-G03-W 1/3-E50				OCF-G03-B60-X-J50		
ORO-G03-A 1/3-J50				Direction Control Valve	OC-G03-P 1/2-J50 3	
ORO-G03-B 1/3-J50					OC-G03-T 1/2-J50 3	
ORD-G03-W 1/3-J50					OC-G03-A 1/2-J50 3	
ORD-G03-A 1/3-J50			OC-G03-AP 1/2-J50 3			
ORD-G03-B 1/3-J50			OCV-G03-W-J50			
OG-G03-P C 1-(B)-E51 3			OCP-G03-W 1/2-J50			
OG-G03-A C 1-(B)-E51 3			OCP-G03-A 1/2-J50			
OG-G03-B C 1-(B)-E51 3			OCP-G03-B 1/2-J50			
OG-G03-P C 1-(B)V-J51 3			OK-G03-J50			
OQ-G03-P2 A C-J50 E			Other		OB-G03-W-J30	
OCQ-G03-A1 A C-J50 E				MOB-G03-(H)-50		
OCQ-G03-B1 A C-J50 E				MOB-G03-J50		
Flow Control Valve	OCY-G03-P-J50			MOB-G03-A-(H)-50		
	OCY-G03-W-Y-J51			MOB-G03-A-J50		
	OCY-G03-A-Y-J51			MOB-G03-B-(H)-50		
	OCY-G03-B-Y-J51			MOB-G03-B-J50		
	OCY-G03-W-X-J51			MOB-G03-AA-50		
	OCY-G03-A-X-J51			MOB-G03-AA-J50		
	OCY-G03-B-X-J51			MOB-03X-B*-50		
			MOB-03X-B*-J50			
		MS-03(X)-30				
		MSA-03(X)-10				
		MS-03(X)-T-10				
		MSA-03(X)-T-10				



# G04 Modular Valve Series

Type	Name	Valve Model Number	Maximum Working psi	Maximum Flow Rate gpm	Pressure Adjustment Range (Check Valve Cracking Pressure) psi	JIS Symbol	Weight lbs	Catalog Page	
Solenoid Valves	Solenoid Control Valves	DSS-G04-****-R**-21	35MPa 5000	79			33	D-41	
Pressure Control Valve	Relief valve	ORH-G04-P $\frac{1}{3}$ -10 5	35MPa 5000	79	1: 115 to 1000 3: 500 to 3600		15.4	F-10	
	Direct Relief Valves	ORH-G04-DW- $\frac{1}{3}$ -10 5		13.2	1: 115 to 1000 3: 500 to 3600 5: 1000 to 5000		14.3	F-20	
		ORH-G04-DA $\frac{1}{3}$ -10 5			79		1: 115 to 1000 3: 500 to 3600	17.6	F-25
		ORH-G04-DB $\frac{1}{3}$ -10 5					17.6	F-32	
	Reducing valve	OGH-G04-P $\frac{1}{3}$ (B)-10		79	1: 115 to 1000 3: 500 to 3600 (Auxiliary Symbol) B: External drain		17.6	F-47	
		OGH-G04-A $\frac{1}{3}$ (B)-10			17.6		F-47		
		OGH-G04-B $\frac{1}{3}$ (B)-10			17.6		F-47		
	Counter Balance Valves	OQH-G04-A1 $\frac{A}{C}$ -10 E		79	A: 36 to 125 C: 72 to 500 E: 290 to 2000		17.6	F-55	
		OQH-G04-B1 $\frac{A}{C}$ -10 E			17.6		F-55		
	Flow Control Valve	Flow Regulator Valves		OYH-G04-P-10	79		Check Valve Cracking Pressure 5.8		10.3
Meter-in Flow Regulator Valve		OYH-G04-W-X-10	79	Check Valve Cracking Pressure 14.5		14.3	F-55		
		OYH-G04-A-X-10				14.3			
		OYH-G04-B-X-10				14.3			
Meter-Out Flow Regulator Valves		OYH-G04-W-Y-10	79	Check Valve Cracking Pressure 14.5		14.3	F-63		
		OYH-G04-A-Y-10				14.3			
Meter-in Flow Control Valves		OFH-G04-W200-X-10	52.8	Check Valve Cracking Pressure 14.5		24.4	F-69		
		OFH-G04-A200-X-10				22.5			
		OFH-G04-B200-X-10				24.4			
		OFH-G04-W200-Y-10				22.5			
		OFH-G04-A200-Y-10				24.4			
		OFH-G04-B200-Y-10				22.5			
Direction Control Valve		Check Valves	OCH-G04-P $\frac{1}{2}$ -10 3	79	1: 5.8 2: 50 3: 72		9.9	F-69	
			OCH-G04-T $\frac{1}{2}$ -10 3				14.3		
	OCH-G04-A $\frac{1}{2}$ -10 3		9.9						
	OCH-G04-AP $\frac{1}{2}$ -10 3		9.9						
	Vacuum Check Valves	OVH-G04-W-10	79	14.5		14.3	F-69		
	Pilot Check Valves	OPH-G04-W $\frac{1}{2}$ (D)-10	79	1: 29 2: 72 (Auxiliary Symbol) Open Valve Ratio Standard : Child Valve 7% : Parent Valve 50% D : Parent Valve 50%		15	F-76		
		OPH-G04-A $\frac{1}{2}$ (D)-10							
		OPH-G04-B $\frac{1}{2}$ (D)-10							

The G04 series modular valves do not have an L (DR<sub>2</sub>) drain port, so they cannot be used in combination with pressure center type solenoid valves (D).



### Brake Modular Valve

**5.2 to 7.9 gpm**  
**115 to 3045, 3625 psi**

#### Features

This modular pressure control valve prevents abnormal pressure when the actuator stops, enabling smooth stops.

Wide ranging applicability Maximum Operating Pressure: 3625 psi.

Pressure Adjustment Range: 115 to 3045, 3625 psi.

#### Specifications

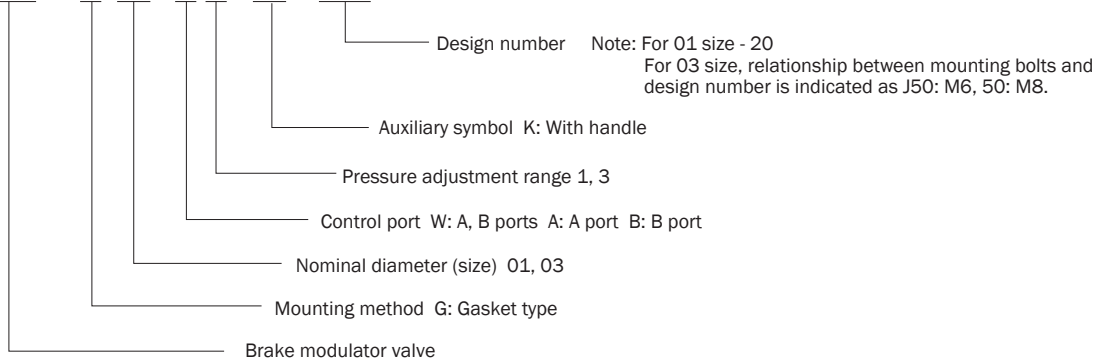
Model No.	Nominal Diameter (Size)	Maximum Working Pressure psi	Maximum Flow Rate gpm	Pressure Adjustment Range psi	Weight lbs	Gasket Surface Dimensions
ORO-G01-W1-20 W3	1/8	3625	5.2	115 to 1000 500 to 3045	3.3	ISO 4401-03-02-0-94
ORO-G01-A1-20 A3				115 to 1000 500 to 3045	3.0	
ORO-G01-B1-20 B3				115 to 1000 500 to 3045	3.0	
ORO-G03-W1-J50 W3	3/8	3625	7.9	115 to 1000 500 to 3045	10.5	ISO 4401-05-04-0-94
ORO-G03-A1-J50 A3				115 to 1000 500 to 3045	8.8	
ORO-G03-B1-J50 B3				115 to 1000 500 to 3045	8.8	

#### • Handling

- The pressure adjustment range is expressed using cracking pressure.
- For use as a safety valve, use a pressure override that is higher than the required circuit pressure.
- Note that a sub plate and installation bolts are not included. See pages H4 and F87-89 if these items are required.

#### Understanding Model Numbers

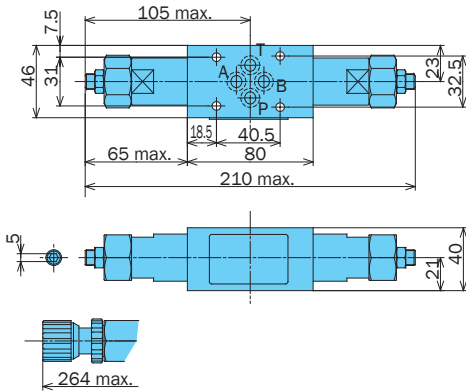
**ORO - G 03 - A 3 - (K) - J50**



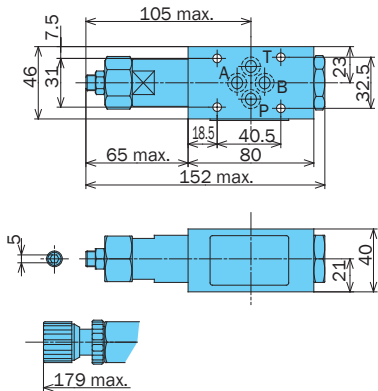
# Specifications

Note: Pressure is increased by clockwise (rightward) rotation of the adjusting screw (bolt), and decreased by counterclockwise (leftward) rotation.

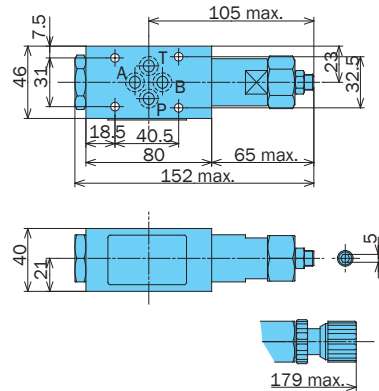
## ORO-G01-W\*-20



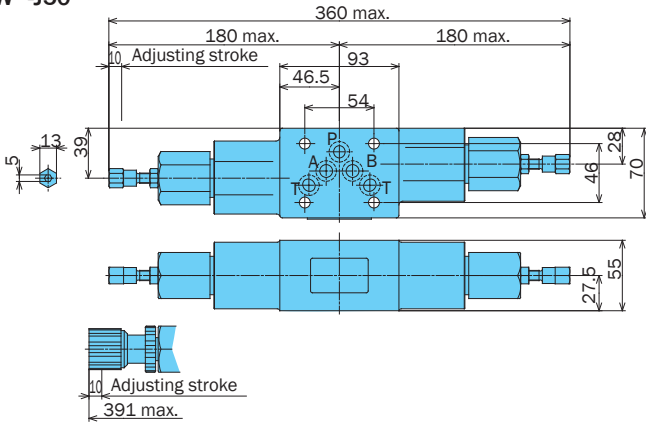
## ORO-G01-A\*-20



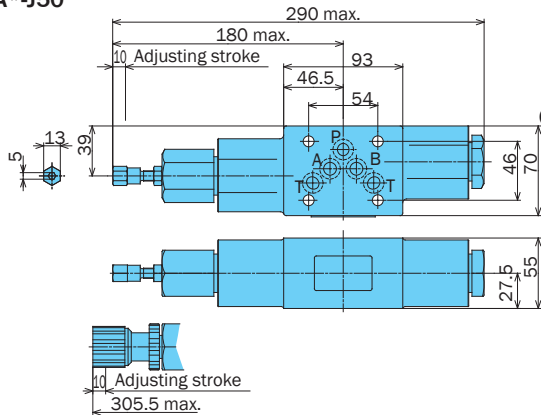
## ORO-G01-B\*-20



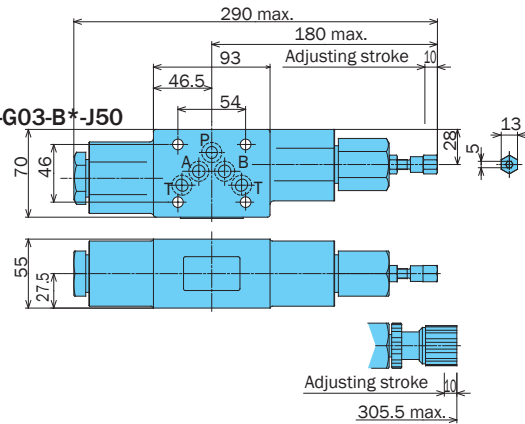
## ORO-G03-W\*-J50



## ORO-G03-A\*-J50



## ORO-G03-B\*-J50

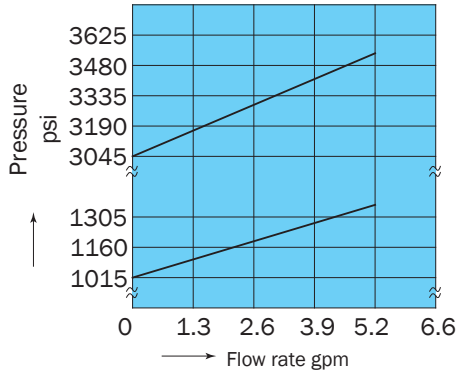


## Performance Curves

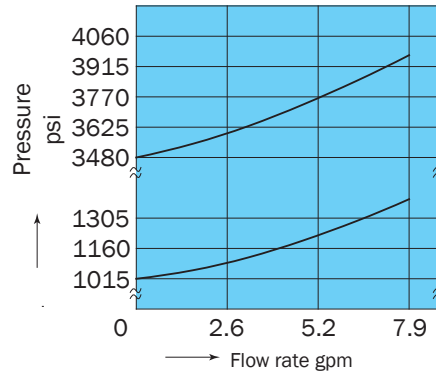
Differential Hydraulic Fluid Viscosity 32 centistokes

### Pressure - Flow Rate Characteristics

ORO-G01-\*\*-20

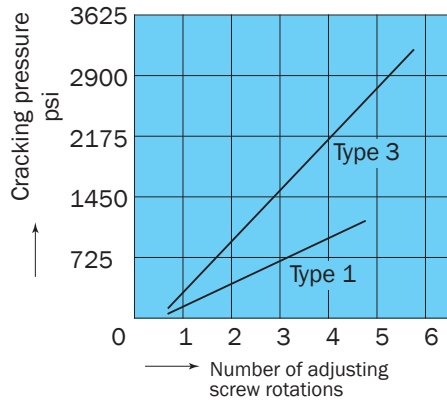


ORO-G03-\*\*-J50

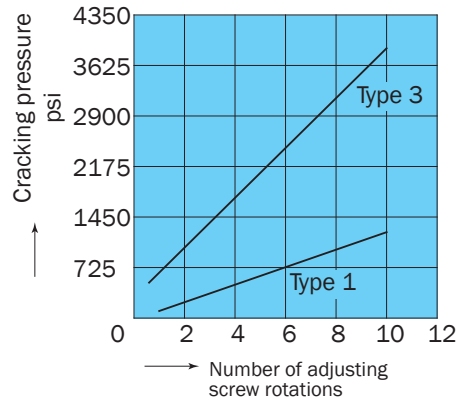


### Number of Adjusting Screw Rotations - Pressure Characteristics

ORO-G01-\*\*-20

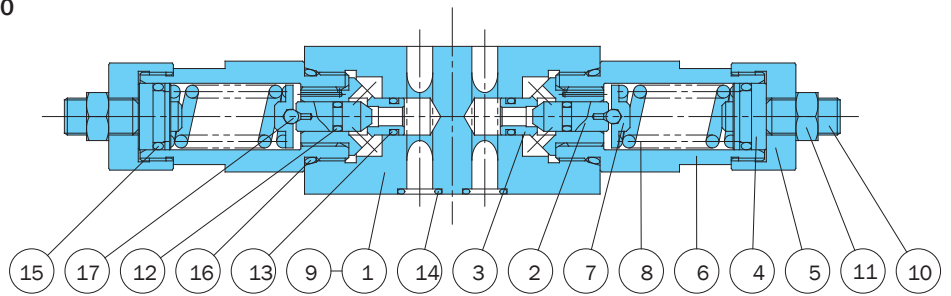


ORO-G03-\*\*-J50



## Cross-sectional Drawing

ORO-G01-W\*-20

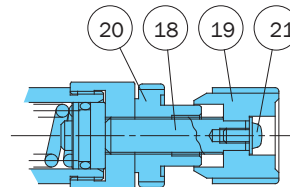


Part No.	Part Name
1	Body
2	Poppet
3	Seat
4	Plunger
5	Bushing
6	Retainer
7	Guide
8	Spring
9	Plate
10	Screw
11	Nut
12	O-ring
13	O-ring
14	O-ring
15	O-ring
16	O-ring
17	Ball
18	Screw
19	Knob
20	Nut
21	Screw

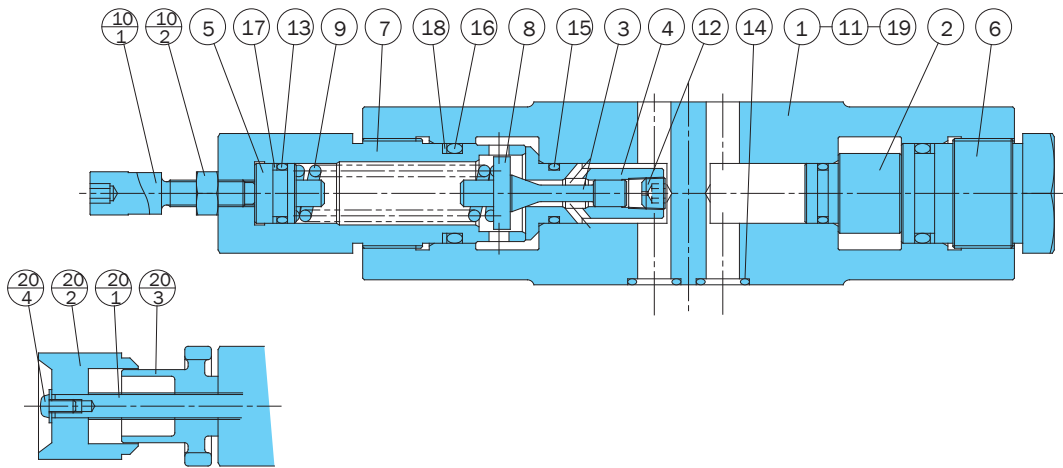
### Seal Part List (Kit Model Number BRBS-01R0\*)

Part No.	Part Name	Part Number	Qty		
			W	A	B
12	O-ring	1A-P5	2	1	1
13	O-ring	1B-P7	2	2	2
14	O-ring	1B-P9	4	4	4
15	O-ring	1B-P14	2	1	1
16	O-ring	1B-P22	2	2	2

Note: 1. O-ring 1A/B-\*\* refers to JIS B2401-1A/B.  
2. Specify W, A, or B for the asterisk (\*) in the kit model number.



ORO-G03-A\*-J50



Part No.	Part Name
1	Body
2	Plug
3	Poppet
4	Seat
5	Plunger
6	Bushing
7	Retainer
8	Guide
9	Spring
10	Screw kit
10 <sub>1</sub>	Screw
10 <sub>2</sub>	Nut
11	Plate
12	Orifice
13	O-ring
14	O-ring
15	O-ring
16	O-ring
17	Backup ring
18	Backup ring
19	Pin
20	Handle kit
20 <sub>1</sub>	Screw
20 <sub>2</sub>	Knob
20 <sub>3</sub>	Nut
20 <sub>4</sub>	Screw

Seal Part List (Kit Model Number BRES-03R0\*)

Part No.	Part Name	Part Number	Q'ty		
			W	A	B
13	O-ring	1A-P14	2	1	1
14	O-ring	AS568-014(Hs90)	5	5	5
15	O-ring	1B-P14	2	2	2
16	O-ring	1B-P24	2	2	2
17	Backup ring	T2-P14	2	1	1
18	Backup ring	T2-P24	2	2	2

- Note: 1. O-ring 1A/B-\*\* refers to JIS B2401-1A/B.  
 2. Backup ring indicates JIS B2407-T2-\*\*.  
 3. Specify W, A, or B for the asterisk (\*) in the kit model number.