

TRUSTED UNDER PRESSURE.



HIGH PERFORMANCE ADAPTERS

JIC ADAPTERS (UP TO 15,000PSI)

NPT ADAPTERS (UP TO 15,000PSI)

MEDIUM PRESSURE ADAPTERS (UP TO 20,000PSI)

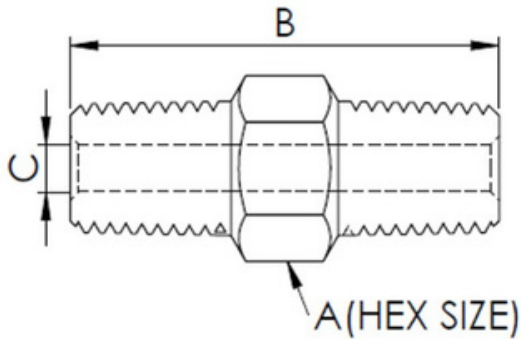
BSP ADAPTERS (UP TO 30,000PSI)

TYPE-M ADAPTERS (UP TO 50,000PSI)

HIGH PRESSURE ADAPTERS (UP TO 60,000PSI)

CUSTOM ADAPTER SOLUTIONS

NPT MALE X NPT MALE ADAPTERS



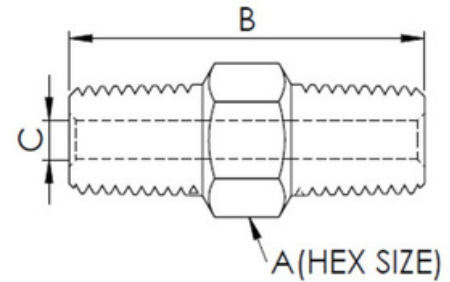
DESCRIPTION	PART NUMBER	PSI	(A) HEX	(B) OAL	(C) THRU	LBS
1/16 NPT M X 1/16 NPT M	X1N01N15	15,000	0.375	1.00	0.110	0.02
1/16 NPT M X 1/8 NPT M	X1N02N15	15,000	0.500	1.20	0.110	0.04
1/8 NPT M X 1/8 NPT M	X2N02N15	15,000	0.500	1.28	0.140	0.05
1/8 NPT M X 1/4 NPT M	X2N04N15	15,000	0.625	1.38	0.140	0.08
1/8 NPT M X 3/8 NPT M	X2N06N15	15,000	0.750	1.43	0.140	.011
1/4 NPT M X 1/4 NPT M	X4N04N15	15,000	0.625	1.48	0.187	0.09
1/4 NPT M X 1/4 NPT M 3" X4N04N-3-15	X4N04N-3-15	15,000	0.625	3.00	0.187	0.23
1/4 NPT M X 1/4 NPT M 6" X4N04N-6-15	X4N04N-6-15	15,000	0.625	6.00	0.187	0.50
1/4 NPT M X 3/8 NPT M	X4N06N15	15,000	0.750	1.53	0.187	0.12
1/4 NPT M X 1/2 NPT M	X4N08N15	15,000	0.875	1.68	0.187	0.18
1/4 NPT M X 3/4 NPT M	X4N12N10	10,000	1.125	1.90	0.187	0.32
1/4 NPT M X 1 NPT M	X4N16N10	10,000	1.375	2.19	0.187	0.58

CONTINUED...

THE INFORMATION CONTAINED IN THIS DRAWING IS THE SOLE PROPERTY OF ONEHYDRAULICS. ANY REPRODUCTION IN PART OR AS A WHOLE WITHOUT THE WRITTEN PERMISSION FROM ONEHYDRAULICS IS PROHIBITED.

NPT MALE X NPT MALE ADAPTERS

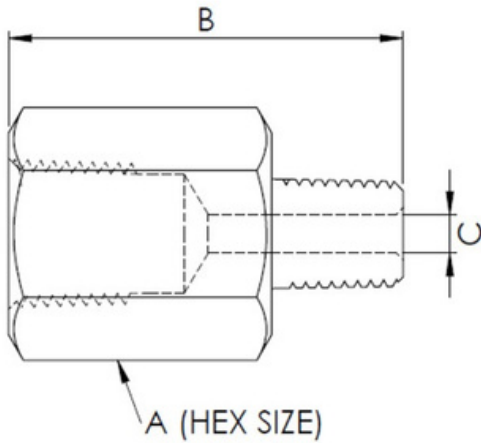
CONTINUED...



DESCRIPTION	PART NUMBER	PSI	(A) HEX	(B) OAL	(C) THRU	LBS
3/8 NPT M X 3/8 NPT M	X6N06N15	15,000	0.750	1.58	0.312	0.13
3/8 NPT M X 3/8 NPT M	X6N08N15	15,000	0.875	1.73	0.312	0.19
3/8 NPT M X 3/4 NPT M	X6N12N10	10,000	1.125	1.95	0.312	0.33
3/8 NPT M X 1 NPT M	X6N16N10	10,000	1.375	2.24	0.312	0.59
1/2 NPT M X 1/2 NPT M	X8N08N15	15,000	0.750	1.43	0.140	.011
1/2 NPT M X 1/2 NPT M 3"	X8N08N-3-15	15,000	0.875	3.00	0.375	0.41
1/2 NPT M X 1/2 NPT M 4"	X8N08N-4-15	15,000	0.875	4.00	0.375	0.57
1/2 NPT M X 1/2 NPT M 6"	X8N08N-6-15	15,000	0.625	6.00	0.187	0.50
1/2 NPT M X 3/4 NPT M	X8N12N10	10,000	1.125	2.10	0.375	0.37
1/2 NPT M X 1 NPT M	X8N16N10	10,000	1.375	2.39	0.375	0.62
3/4 NPT M X 3/4 NPT M	X12N12N10	10,000	1.125	2.20	0.550	0.40
3/4 NPT M X 1 NPT M	X12N16N10	10,000	1.375	2.49	0.550	0.66
1 NPT M X 1 NPT M	X16N16N10	10,000	1.375	2.65	0.687	0.76
1 NPT M X 1-1/4 NPT M	X16N20N07	7,500	1.750	2.90	0.687	1.27
1 NPT M X 1-1/2 NPT M	X16N24N07	7,500	2.00	2.99	0.687	1.58
1 NPT M X 2 NPT M	X16N32N07	7,500	2.500	2.99	0.687	2.49

THE INFORMATION CONTAINED IN THIS DRAWING IS THE SOLE PROPERTY OF ONEHYDRAULICS. ANY REPRODUCTION IN PART OR AS A WHOLE WITHOUT THE WRITTEN PERMISSION FROM ONEHYDRAULICS IS PROHIBITED.

NPT MALE X NPT FEMALE ADAPTERS



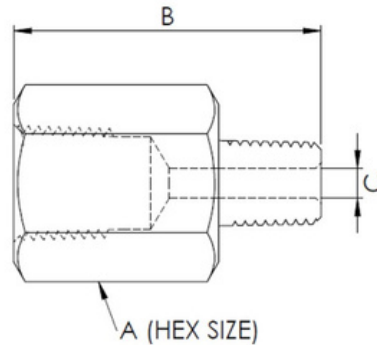
DESCRIPTION	PART NUMBER	PSI	(A) HEX	(B) OAL	(C) THRU	LBS
1/16 NPT M X 1/8 NPT F	X1N02NF15	15,000	0.625	1.13	0.110	0.06
1/16 NPT M X 1/4 NPT F	X1N04NF15	15,000	0.750	1.36	0.110	0.10
1/8 NPT M X 1/16 NPT F	X2N01NF15	15,000	0.625	1.15	0.141	0.07
1/8 NPT M X 1/4 NPT F	X2N04NF15	15,000	0.750	1.38	0.141	0.09
1/8 NPT M X 3/8 NPT F	X2N06NF15	15,000	0.875	1.43	0.141	0.13
1/4 NPT M X 1/16 NPT F	X4N01NF15	15,000	0.625	1.30	0.187	0.09
1/4 NPT M X 1/8 NPT F	X4N02NF15	15,000	0.625	1.30	0.187	0.08
1/4 NPT M X 1/4 NPT F	X4N04NF15	15,000	0.750	1.50	0.187	0.12
1/4 NPT M X 3/8 NPT F	X4N06NF15	15,000	0.875	1.52	0.187	0.15
1/4 NPT M X 1/2 NPT F	X4N08NF15	15,000	1.125	1.75	0.187	0.28
1/4 NPT M X 3/4 NPT F	X4N12NF10	15,000	1.375	1.80	0.187	0.41

CONTINUED...

THE INFORMATION CONTAINED IN THIS DRAWING IS THE SOLE PROPERTY OF ONEHYDRAULICS. ANY REPRODUCTION IN PART OR AS A WHOLE WITHOUT THE WRITTEN PERMISSION FROM ONEHYDRAULICS IS PROHIBITED.

NPT MALE X NPT FEMALE ADAPTERS

CONTINUED...



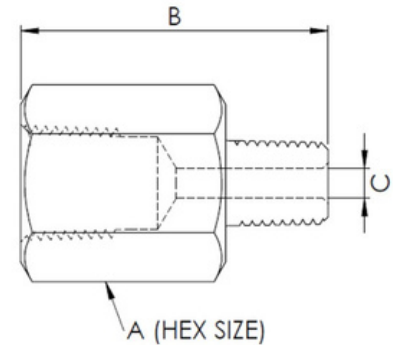
DESCRIPTION	PART NUMBER	PSI	(A) HEX	(B) OAL	(C) THRU	LBS
3/8 NPT M X 1/16 NPT F	X6N01NF15	15,000	0.750	1.05	0.246	0.10
3/8 NPT M X 1/8 NPT F	X6N02NF15	15,000	0.750	1.05	0.312	0.09
3/8 NPT M X 1/4 NPT F	X6N04NF15	15,000	0.750	1.50	0.312	0.13
3/8 NPT M X 3/8 NPT F	X6N06NF15	15,000	0.875	1.50	0.312	0.15
3/8 NPT M X 1/2 NPT F	X6N08NF15	15,000	1.125	1.73	0.312	0.27
3/8 NPT M X 1 NPT F	X6N16M15	15,000	1.375	1.80	0.312	0.40
3/8 NPT M X 1 NPT F	X6N16NF10	15,000	1.750	2.05	0.312	0.75
1/2 NPT M X 1/16 NPT F	X8N01NF15	15,000	0.875	1.25	0.246	0.18
1/2 NPT M X 1/8 NPT F	X8N02NF15	15,000	0.875	1.25	0.339	0.17
1/2 NPT M X 1/4 NPT F	X8N04NF15	15,000	0.875	1.58	0.375	0.20
1/2 NPT M X 3/8 NPT F	X8N06NF15	15,000	0.875	1.58	0.375	0.18
1/2 NPT M X 1/2 NPT F	X8N08NF15	15,000	1.125	1.90	0.375	0.32
1/2 NPT M X 3/4 NPT F	X8N12NF10	10,000	1.375	1.95	0.375	0.44
1/2 NPT M X 1 NPT F	X8N16NF10	10,000	1.750	2.20	0.375	0.78

CONTINUED...

THE INFORMATION CONTAINED IN THIS DRAWING IS THE SOLE PROPERTY OF ONEHYDRAULICS. ANY REPRODUCTION IN PART OR AS A WHOLE WITHOUT THE WRITTEN PERMISSION FROM ONEHYDRAULICS IS PROHIBITED.

NPT MALE X NPT FEMALE ADAPTERS

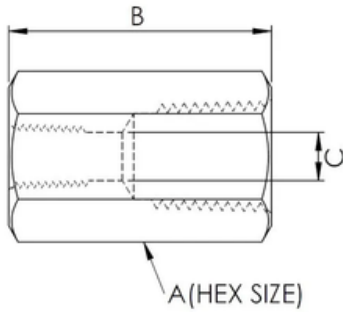
CONTINUED...



DESCRIPTION	PART NUMBER	PSI	(A) HEX	(B) OAL	(C) THRU	LBS
3/4 NPT M X 1/4 NPT F	X12N04NF10	10,000	1.125	1.63	0.437	0.35
3/4 NPT M X 3/8 NPT F	X12N06NF10	10,000	1.125	1.60	0.550	0.32
3/4 NPT M X 1/2 NPT F	X12N08NF10	10,000	1.125	1.98	0.550	0.36
3/4 NPT M X 3/4 NPT F	X12N12NF10	10,000	1.375	1.95	0.550	0.45
3/4 NPT M X 1 NPT F	X12N16NF10	10,000	1.750	2.25	0.550	0.80
1 NPT M X 1/4 NPT F	X16N04NF10	10,000	1.375	1.75	0.437	0.58
1 NPT M X 3/8 NPT F	X16N06NF10	10,000	1.375	1.75	0.578	0.55
1 NPT M X 1/2 NPT F	X16N08NF10	10,000	1.375	1.90	0.687	0.57
1 NPT M X 3/4 NPT F	X16N12NF10	10,000	1.375	2.15	0.687	0.59
2 NPT M X 1/8 NPT F	X32N08NF07	7,500	2.500	2.25	0.718	2.57
2 NPT M X 1 NPT F	X32N16NF07	7,000	2.500	2.35	1.156	2.52

THE INFORMATION CONTAINED IN THIS DRAWING IS THE SOLE PROPERTY OF ONEHYDRAULICS. ANY REPRODUCTION IN PART OR AS A WHOLE WITHOUT THE WRITTEN PERMISSION FROM ONEHYDRAULICS IS PROHIBITED.

NPT FEMALE X NPT FEMALE ADAPTERS



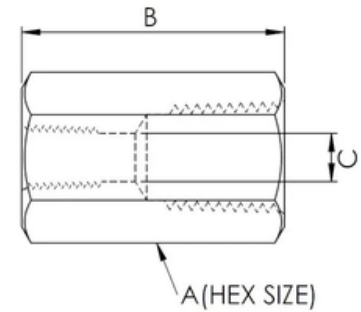
DESCRIPTION	PART NUMBER	PSI	(A) HEX	(B) OAL	(C) THRU	LBS
1/16 NPT F X 1/4 NPT F	X1NF04NF15	15,000	0.75	1.34	0.246	0.14
1/16 NPT F X 1/2 NPT F	X1NF08NF15	15,000	1.125	1.59	0.246	0.36
1/8 NPT F X 1/8 NPT F	X2NF02NF15	15,000	0.625	1.00	0.339	0.07
1/8 NPT F X 1/4 NPT F	X2NF04NF15	15,000	0.750	1.32	0.339	0.13
1/8 NPT F X 3/8 NPT F	X2NF06NF15	15,000	0.875	1.34	0.339	0.18
1/8 NPT F X 1/2 NPT F	X2NF08NF15	15,000	1.125	1.57	0.339	0.35
1/4 NPT F X 1/4 NPT F	X4NF04NF15	15,000	0.750	1.40	0.437	0.12
1/4 NPT F X 3/8 NPT F	X4NF06NF15	15,000	0.875	1.53	0.437	0.19
1/4 NPT F X 1/2 NPT F	X4NF08NF15	15,000	1.125	1.75	0.437	0.38
1/4 NPT F X 3/4 NPT F	X4NF12NF10	10,000	1.375	1.79	0.437	0.60
3/8 NPT F X 3/8 NPT F	X6NF06NF15	15,000	0.875	1.65	0.101	0.14
3/8 NPT F X 1/2 NPT F	X6NF08NF15	15,000	1.125	1.73	0.578	0.35
3/8 NPT F X 3/4 NPT F	X6NF12NF10	10,000	1.375	1.76	0.578	0.56
3/8 NPT F X 1 NPT F	X6NF16NF10	10,000	1.750	2.00	0.578	1.07

CONTINUED...

THE INFORMATION CONTAINED IN THIS DRAWING IS THE SOLE PROPERTY OF ONEHYDRAULICS. ANY REPRODUCTION IN PART OR AS A WHOLE WITHOUT THE WRITTEN PERMISSION FROM ONEHYDRAULICS IS PROHIBITED.

NPT FEMALE X NPT FEMALE ADAPTERS

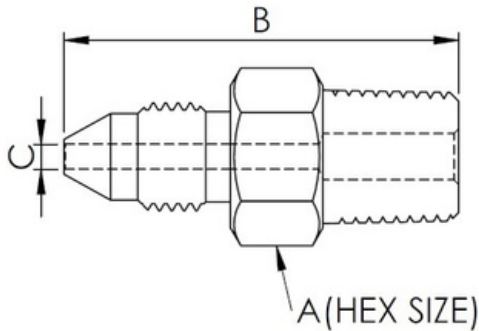
CONTINUED...



DESCRIPTION	PART NUMBER	PSI	(A) HEX	(B) OAL	(C) THRU	LBS
1/2 NPT F X 1/2 NPT F	X8NF08NF15	15,000	1.125	1.88	0.718	0.33
1/2 NPT F X 3/4 NPT F	X8NF12NF10	10,000	1.375	1.92	0.718	0.58
1/2 NPT F X 1 NPT F	X8NF16NF10	10,000	1.750	2.17	0.718	1.13
3/4 NPT F X 3/4 NPT F	X12NF12NF10	10,000	1.375	1.79	0.921	0.46
3/4 NPT F X 1 NPT F	X12NF16NF10	10,000	1.750	2.14	0.921	1.04
1 NPT F X 1 NPT F	X16NF16NF10	10,000	1.750	2.25	1.156	0.96

THE INFORMATION CONTAINED IN THIS DRAWING IS THE SOLE PROPERTY OF ONEHYDRAULICS. ANY REPRODUCTION IN PART OR AS A WHOLE WITHOUT THE WRITTEN PERMISSION FROM ONEHYDRAULICS IS PROHIBITED.

NPT MALE X MP MALE ADAPTERS



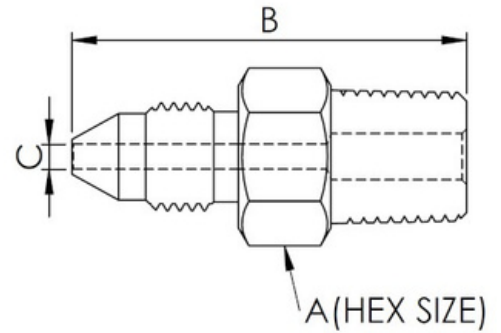
DESCRIPTION	PART NUMBER	PSI	(A) HEX	(B) OAL	(C) THRU	LBS
1/4 NPT M X 1/4 MP M	X4N04M15	15,000	0.625	1.60	0.140	0.08
1/4 NPT M X 3/8 MP M	X4N06M15	15,000	0.625	1.74	0.187	0.10
1/4 NPT M X 9/16 MP M	X4N09M15	15,000	0.875	1.93	0.187	0.19
1/4 NPT M X 3/4 MP M	X4N12M15	15,000	1.125	2.24	0.187	0.35
1/4 NPT M X 1 MP M	X4N16M15	15,000	1.125	3.60	0.187	0.56
3/8 NPT M X 1/4 MP M	X6N04M15	15,000	0.750	1.65	0.140	0.11
3/8 NPT M X 3/8 MP M	X6N06M15	15,000	0.750	1.79	0.196	0.13
3/8 NPT M X 9/16 MP M	X6N09M15	15,000	0.875	1.98	0.307	0.20
3/8 NPT M X 3/4 MP M	X6N12M15	15,000	1.125	2.29	0.312	0.36
3/8 NPT M X 1 MP M	X6N16M15	15,000	1.125	3.65	0.312	0.57
1/2 NPT M X 1/4 MP M	X8N04M15	15,000	0.875	1.80	0.140	0.17
1/2 NPT M X 3/8 MP M	X8N06M15	15,000	0.875	1.94	0.196	0.19
1/2 NPT M X 9/16 MP M	X8N09M15	15,000	0.875	2.13	0.307	0.24
1/2 NPT M X 3/4 MP M	X8N12M15	15,000	1.125	2.44	0.375	0.40
1/2 NPT M X 1 MP M	X8N16M15	15,000	1.125	3.80	0.375	0.61

CONTINUED...

THE INFORMATION CONTAINED IN THIS DRAWING IS THE SOLE PROPERTY OF ONEHYDRAULICS. ANY REPRODUCTION IN PART OR AS A WHOLE WITHOUT THE WRITTEN PERMISSION FROM ONEHYDRAULICS IS PROHIBITED.

NPT MALE X MP MALE ADAPTERS

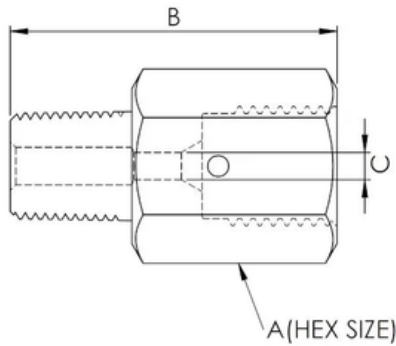
CONTINUED...



DESCRIPTION	PART NUMBER	PSI	(A) HEX	(B) OAL	(C) THRU	LBS
3/4 NPT M X 9/16 MP M	X12N09M10	10,000	1.125	2.35	0.307	0.38
3/4 NPT M X 3/4 MP M	X12N12M10	10,000	1.125	2.53	0.430	0.45
3/4 NPT M X 1 MP M	X12N16M10	10,000	1.125	3.90	0.531	0.65
1 NPT M X 9/16 MP M	X16N09M10	10,000	1.375	2.64	0.307	0.64
1 NPT M X 3/4 MP M	X16N12M10	10,000	1.375	2.82	0.430	0.71
1 NPT M X 1 MP M	X16N16M10	10,000	1.375	4.19	0.531	0.91

THE INFORMATION CONTAINED IN THIS DRAWING IS THE SOLE PROPERTY OF ONEHYDRAULICS. ANY REPRODUCTION IN PART OR AS A WHOLE WITHOUT THE WRITTEN PERMISSION FROM ONEHYDRAULICS IS PROHIBITED.

NPT MALE X MP FEMALE ADAPTERS



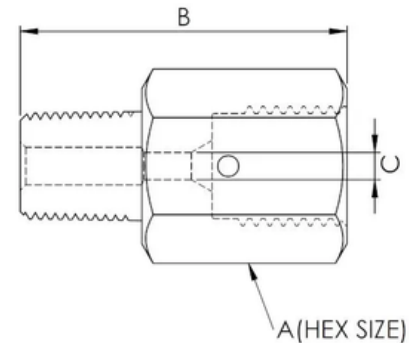
DESCRIPTION	PART NUMBER	PSI	(A) HEX	(B) OAL	(C) THRU	LBS
1/8 NPT M X 1/4 MP F	X2N04MF15	15,000	0.625	1.57	0.086	0.09
1/4 NPT M X 1/4 MP F	X4N04MF15	15,000	0.625	1.33	0.101	0.08
1/4 NPT M X 3/8 MP F	X4N06MF15	15,000	0.750	1.48	0.187	0.12
1/4 NPT M X 9/16 MP F	X4N09MF15	15,000	1.000	2.07	0.187	0.29
1/4 NPT M X 3/4 MP F	X4N12MF15	15,000	1.375	2.10	0.187	0.52
1/4 NPT M X 1 MP F	X4N16MF15	15,000	1.750	2.60	0.187	1.01
3/8 NPT M X 1/4 MP F	X6N04MF15	15,000	0.875	1.77	0.086	0.19
3/8 NPT M X 3/8 MP F	X6N06MF15	15,000	0.750	1.54	0.196	0.13
3/8 NPT M X 9/16 MP F	X6N09MF15	15,000	1.000	1.72	0.307	0.21
3/8 NPT M X 3/4 MP F	X6N12MF15	15,000	1.750	2.62	0.312	1.00
1/2 NPT M X 1/4 MP F	X8N04MF15	15,000	0.875	1.58	0.101	0.22
1/2 NPT M X 3/8 MP F	X8N06MF15	15,000	0.875	1.70	0.196	0.23
1/2 NPT M X 9/16 MP F	X8N09MF15	15,000	1.000	1.88	0.375	0.25
1/2 NPT M X 3/4 MP F	X8N12MF15	15,000	1.375	2.26	0.375	0.55
1/2 NPT M X 1 MP F	X8N16MF15	15,000	1.750	2.76	0.375	1.03

CONTINUED...

THE INFORMATION CONTAINED IN THIS DRAWING IS THE SOLE PROPERTY OF ONEHYDRAULICS. ANY REPRODUCTION IN PART OR AS A WHOLE WITHOUT THE WRITTEN PERMISSION FROM ONEHYDRAULICS IS PROHIBITED.

NPT MALE X MP FEMALE ADAPTERS

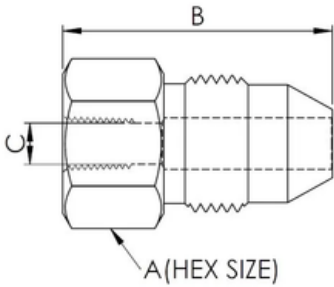
CONTINUED...



DESCRIPTION	PART NUMBER	PSI	(A) HEX	(B) OAL	(C) THRU	LBS
3/4 NPT M X 1/4 MP F	X12N04MF10	10,000	1.125	1.71	0.101	0.39
3/4 NPT M X 3/8 MP F	X12N06MF10	10,000	1.125	1.84	0.196	0.41
3/4 NPT M X 9/16 MP F	X12N09MF10	10,000	1.125	2.20	0.307	0.39
3/4 NPT M X 3/4 MP F	X12N12MF10	10,000	1.375	2.19	0.430	0.54
3/4 NPT M X 1 MP F	X12N16MF10	10,000	1.750	2.69	0.531	0.96
1 NPT M X 3/8 MP F	X16N06MF10	10,000	1.375	2.02	0.196	0.70
1 NPT M X 9/16 MP F	X16N09MF10	10,000	1.375	2.20	0.307	0.71
1 NPT M X 3/4 MP F	X16N12MF10	10,000	1.375	2.37	0.430	0.67
1 NPT M X 1 MP F	X16N16MF10	10,000	1.750	2.87	0.531	1.10

THE INFORMATION CONTAINED IN THIS DRAWING IS THE SOLE PROPERTY OF ONEHYDRAULICS. ANY REPRODUCTION IN PART OR AS A WHOLE WITHOUT THE WRITTEN PERMISSION FROM ONEHYDRAULICS IS PROHIBITED.

NPT FEMALE X MP MALE ADAPTERS



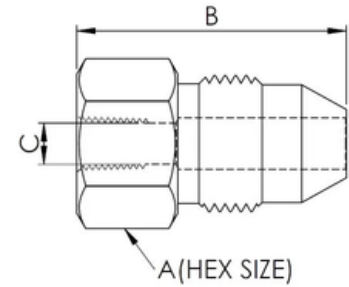
DESCRIPTION	PART NUMBER	PSI	(A) HEX	(B) OAL	(C) THRU	LBS
1/16 NPT F X 9/16 MP M	X1NF09M15	15,000	0.875	1.60	0.246	0.19
1/8 NPT F X 1/4 MP M	X2NF04M15	15,000	0.625	1.43	0.101	0.07
1/8 NPT F X 3/8 MP M	X2NF06M15	15,000	0.625	1.50	0.196	0.08
1/8 NPT F X 9/16 MP M	X2NF09M15	15,000	0.875	1.70	0.307	0.20
1/8 NPT F X 3/4 MP M	X2NF12M15	15,000	1.125	1.80	0.339	0.34
1/4 NPT F X 1/4 MP M	X4NF04M15	15,000	0.750	1.64	0.101	0.11
1/4 NPT F X 3/8 MP M	X4NF06M15	15,000	0.750	1.75	0.196	0.13
1/4 NPT F X 9/16 MP M	X4NF09M15	15,000	0.875	1.90	0.307	0.22
1/4 NPT F X 3/4 MP M	X4NF12M15	15,000	1.125	2.00	0.437	0.38
1/4 NPT F X 1 MP M	X4NF16M15	15,000	1.125	3.35	0.437	0.59
3/8 NPT F X 1/4 MP M	X6NF04M15	15,000	0.875	1.65	0.101	0.14
3/8 NPT F X 3/8 MP M	X6NF06M15	15,000	0.875	1.75	0.196	0.15
3/8 NPT F X 9/16 MP M	X6NF09M15	15,000	0.875	1.95	0.307	0.21
3/8 NPT F X 3/4 MP M	X6NF12M15	15,000	1.125	2.10	0.433	0.39
3/8 NPT F X 1 MP M	X6NF16M15	15,000	1.125	3.45	0.531	0.61

CONTINUED...

THE INFORMATION CONTAINED IN THIS DRAWING IS THE SOLE PROPERTY OF ONEHYDRAULICS. ANY REPRODUCTION IN PART OR AS A WHOLE WITHOUT THE WRITTEN PERMISSION FROM ONEHYDRAULICS IS PROHIBITED.

NPT FEMALE X MP MALE ADAPTERS

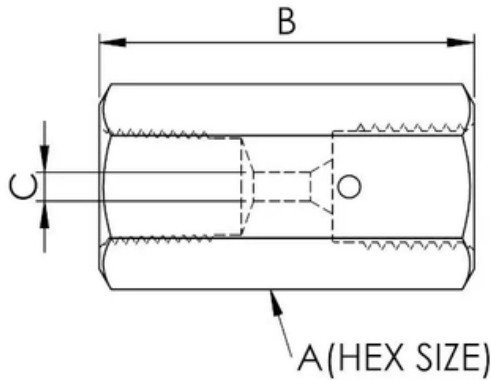
CONTINUED...



DESCRIPTION	PART NUMBER	PSI	(A) HEX	(B) OAL	(C) THRU	LBS
1/2 NPT F X 1/4 MP M	X8NF04M15	15,000	1.125	1.88	0.101	0.27
1/2 NPT F X 3/8 MP M	X8NF06M15	15,000	1.125	2.00	0.196	0.29
1/2 NPT F X 9/16 MP M	X8NF09M15	15,000	1.125	2.13	0.307	0.32
1/2 NPT F X 3/4 MP M	X8NF12M15	15,000	1.125	2.34	0.430	0.40
1/2 NPT F X 1 MP M	X8NF16M15	15,000	1.125	3.68	0.531	0.61
3/4 NPT F X 3/8 MP M	X12NF06M10	10,000	1.375	2.01	0.196	0.39
3/4 NPT F X 9/16 MP M	X12NF09M10	10,000	1.375	2.20	0.307	0.45
3/4 NPT F X 3/4 MP M	X12NF12M10	10,000	1.375	2.38	0.430	0.52
3/4 NPT F X 1 MP M	X12NF16M10	10,000	1.375	3.70	0.531	0.72
1 NPT F X 3/8 MP M	X16NF06M10	10,000	1.75	2.31	0.196	0.79
1 NPT F X 9/16 MP M	X16NF09M10	10,000	1.750	2.50	0.307	0.83
1 NPT F X 3/4 MP M	X16NF12M10	10,000	1.750	2.62	0.430	0.87
1 NPT F X 1 MP M	X16NF16M10	10,000	1.750	3.96	0.531	1.06

THE INFORMATION CONTAINED IN THIS DRAWING IS THE SOLE PROPERTY OF ONEHYDRAULICS. ANY REPRODUCTION IN PART OR AS A WHOLE WITHOUT THE WRITTEN PERMISSION FROM ONEHYDRAULICS IS PROHIBITED.

NPT FEMALE X MP FEMALE ADAPTERS



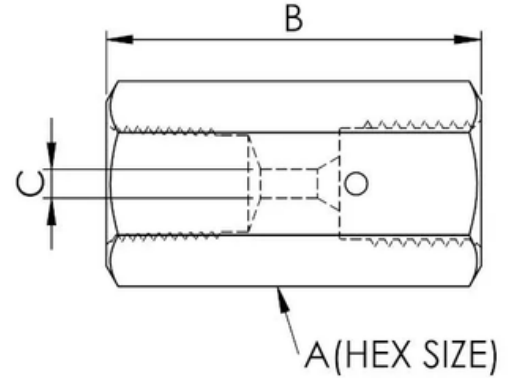
DESCRIPTION	PART NUMBER	PSI	(A) HEX	(B) OAL	(C) THRU	LBS
1/8 NPT F X 1/4 MP F	X2NF04MF15	15,000	0.625	1.32	0.101	0.09
1/8 NPT F X 3/8 MP F	X2NF06MF15	15,000	0.750	1.45	0.196	0.15
1/8 NPT F X 1/4 MP F	X2NF06H15	15,000	1.000	1.63	0.307	0.28
1/4 NPT F X 1/4 MP F	X4NF04MF15	15,000	0.750	1.54	0.101	0.16
1/4 NPT F X 3/8 MP F	X4NF06MF15	15,000	0.750	1.66	0.196	0.15
1/4 NPT F X 9/16 MP F	X4NF09MF15	15,000	1.00	1.85	0.307	0.31
3/8 NPT F X 1/4 MP F	X6NF04MF15	15,000	0.875	1.56	0.101	0.21
3/8 NPT F X 3/8 MP F	X6NF06MF15	15,000	0.875	1.69	0.196	0.22
3/8 NPT F X 9/16 MP F	X6NF09MF15	15,000	1.00	1.87	0.307	0.29
1/2 NPT F X 1/4 MP F	X8NF04MF15	15,000	1.125	1.79	0.101	0.42
1/2 NPT F X 3/8 MP F	X8NF06MF15	15,000	1.125	1.91	0.196	0.43
1/2 NPT F X 9/16 MP F	X8NF09MF15	15,000	1.125	2.10	0.307	0.42
1/2 NPT F X 3/4 MP F	X8NF12MF15	15,000	1.375	2.27	0.430	0.71

CONTINUED...

THE INFORMATION CONTAINED IN THIS DRAWING IS THE SOLE PROPERTY OF ONEHYDRAULICS. ANY REPRODUCTION IN PART OR AS A WHOLE WITHOUT THE WRITTEN PERMISSION FROM ONEHYDRAULICS IS PROHIBITED.

NPT FEMALE X MP FEMALE ADAPTERS

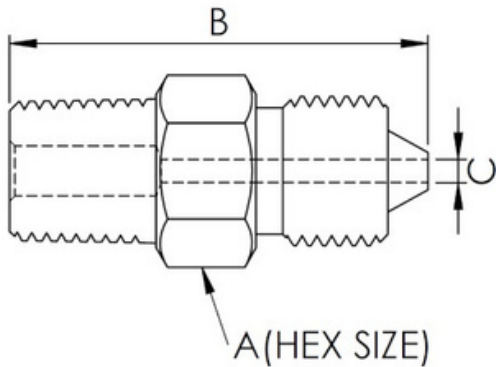
CONTINUED...



DESCRIPTION	PART NUMBER	PSI	(A) HEX	(B) OAL	(C) THRU	LBS
3/4 NPT F X 3/8 MP F	X12NF06MF10	10,000	1.375	1.95	0.196	0.67
3/4 NPT F X 9/16 MP F	X12NF09MF10	10,000	1.375	2.13	0.307	0.69
3/4 NPT F X 3/4 MP F	X12NF12MF10	10,000	1.375	2.31	0.430	0.65
3/4 NPT F X 1 MP F	X12NF16MF10	10,000	1.75	2.80	0.531	1.35
1 NPT F X 3/8 MP F	X16NF06MF10	10,000	1.75	2.2	0.196	1.24
1 NPT F X 9/16 MP F	X16NF09MF10	10,000	1.75	2.38	0.307	1.31
1 NPT F X 3/4 MP F	X16NF12MF10	10,000	1.75	2.55	0.430	1.32
1 NPT F X 1 MP F	X16NF16MF10	10,000	1.75	3.05	0.531	1.36

THE INFORMATION CONTAINED IN THIS DRAWING IS THE SOLE PROPERTY OF ONEHYDRAULICS. ANY REPRODUCTION IN PART OR AS A WHOLE WITHOUT THE WRITTEN PERMISSION FROM ONEHYDRAULICS IS PROHIBITED.

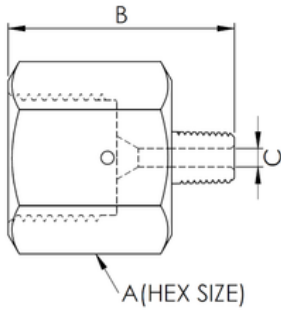
NPT MALE X HP MALE ADAPTERS



DESCRIPTION	PART NUMBER	PSI	(A) HEX	(B) OAL	(C) THRU	LBS
1/4 NPT M X 1/4 HP M	X4N04H15	15,000	0.625	1.57	0.086	0.09
1/4 NPT M X 3/8 HP M	X4N06H15	15,000	0.750	1.80	0.120	0.15
1/4 NPT M X 9/16 HP M	X4N09H15	15,000	1.125	2.05	0.086	0.13
3/8 NPT M X 1/4 HP M	X6N04H15	15,000	0.750	1.62	0.086	0.13
3/8 NPT M X 3/8 HP M	X6N06H15	15,000	0.750	1.85	0.120	0.17
3/8 NPT M X 9/16 HP M	X6N09H15	15,000	1.125	2.10	0.182	0.40
1/2 NPT M X 1/4 HP M	X8N04H15	15,000	0.875	1.77	0.086	0.19
1/2 NPT M X 3/8 HP M	X8N06H15	15,000	1.000	1.57	0.120	0.21
1/2 NPT M X 9/16 HP M	X8N09H15	15,000	1.125	2.25	0.182	0.44
3/4 NPT M X 1/4 HP M	X12N04H10	10,000	1.125	2.00	0.086	0.33
3/4 NPT M X 3/8 HP M	X12N06H10	10,000	1.125	2.23	0.120	0.37
3/4 NPT M X 9/16 HP M	X12N09H10	10,000	1.125	2.35	0.182	0.49
1 NPT M X 9/16 HP M	X16N09H10	10,000	1.375	2.64	0.182	0.75

THE INFORMATION CONTAINED IN THIS DRAWING IS THE SOLE PROPERTY OF ONEHYDRAULICS. ANY REPRODUCTION IN PART OR AS A WHOLE WITHOUT THE WRITTEN PERMISSION FROM ONEHYDRAULICS IS PROHIBITED.

NPT MALE X HP FEMALE ADAPTERS

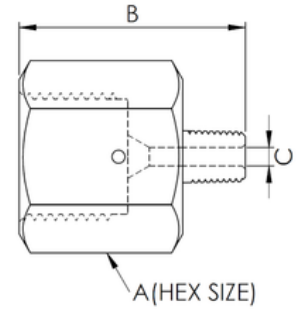


DESCRIPTION	PART NUMBER	PSI	(A) HEX	(B) OAL	(C) THRU	LBS
1/16 NPT M X 3/8 HP F	X1N06HF15	15,000	1.000	1.36	0.110	0.17
1/8 NPT M X 1/4 HP F	X2N04HF15	15,000	0.750	1.22	0.086	0.13
1/8 NPT M X 3/8 HP F	X2N06HF15	15,000	1.000	1.41	0.120	0.18
1/4 NPT M X 1/4 HP F	X4N04HF15	15,000	0.750	1.32	0.339	0.13
1/4 NPT M X 3/8 HP F	X4N06HF15	15,000	1.000	1.51	0.120	0.19
1/4 NPT M X 9/16 HP F	X4N09HF15	15,000	1.375	1.70	0.187	0.36
3/8 NPT M X 1/4 HP F	X6N04HF15	15,000	0.750	1.37	0.086	0.16
3/8 NPT M X 3/8 HP F	X6N06HF15	15,000	1.000	1.57	0.120	0.21
3/8 NPT M X 9/16 HP F	X6N09HF15	15,000	1.375	1.76	0.182	0.38
1/2 NPT M X 1/4 HP F	X8N04HF15	15,000	0.875	1.52	0.086	0.20
1/2 NPT M X 3/8 HP F	X8N06HF15	15,000	1.000	1.72	0.120	0.25
1/2 NPT M X 9/16 HP F	X8N09HF15	15,000	1.375	1.90	0.182	0.42

CONTINUED...

NPT MALE X HP FEMALE ADAPTERS

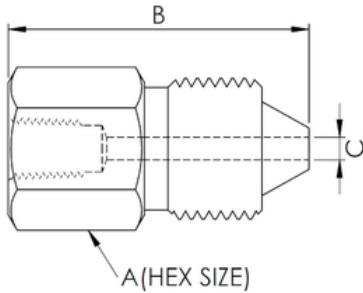
CONTINUED...



DESCRIPTION	PART NUMBER	PSI	(A) HEX	(B) OAL	(C) THRU	LBS
3/4 NPT M X 1/4 HP F	X12N04HF10	10,000	1.125	1.62	0.086	0.35
3/4 NPT M X 3/8 HP F	X12N06HF10	10,000	1.125	1.82	0.120	0.37
3/4 NPT M X 9/16 HP F	X12N09HF10	10,000	1.375	2.08	0.182	0.52
1 NPT M X 1/4 HP F	X16N04HF10	10,000	1.375	1.90	0.086	0.65
1 NPT M X 3/8 HP F	X16N06HF10	10,000	1.375	2.09	0.120	0.70
1 NPT M X 9/16 HP F	X16N09HF10	10,000	2.28	1.375	0.182	0.66

THE INFORMATION CONTAINED IN THIS DRAWING IS THE SOLE PROPERTY OF ONEHYDRAULICS. ANY REPRODUCTION IN PART OR AS A WHOLE WITHOUT THE WRITTEN PERMISSION FROM ONEHYDRAULICS IS PROHIBITED.

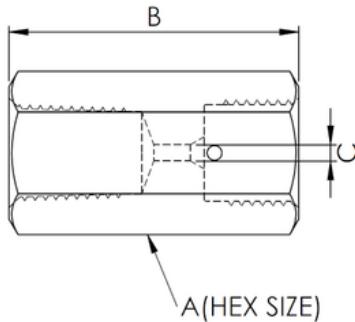
NPT FEMALE X HP MALE ADAPTERS



DESCRIPTION	PART NUMBER	PSI	(A) HEX	(B) OAL	(C) THRU	LBS
1/16 NPT F X 3/8 HP M	X1NF06H15	15,000	0.750	1.60	0.120	0.17
1/8 NPT F X 1/4 HP M	X2NF04H15	15,000	0.625	1.39	0.086	0.09
1/8 NPT F X 3/8 HP M	X2NF06H15	15,000	0.750	1.62	0.120	0.16
1/8 NPT F X 9/16 HP M	X2NF09H15	15,000	1.125	1.73	0.182	0.41
1/4 NPT F X 1/4 HP M	X4NF04H15	15,000	0.750	1.61	0.086	0.13
1/4 NPT F X 3/8 HP M	X4NF06H15	15,000	0.750	1.83	0.120	0.17
1/4 NPT F X 9/16 HP M	X4NF09H15	15,000	1.125	1.95	0.182	0.46
3/8 NPT F X 1/4 HP M	X6NF04H15	15,000	0.875	1.64	0.086	0.16
3/8 NPT F X 3/8 HP M	X6NF06H15	15,000	0.875	1.86	0.120	0.20
3/8 NPT F X 9/16 HP M	X6NF09H15	15,000	1.125	1.97	0.182	0.44
1/2 NPT F X 1/4 HP M	X8NF04H15	15,000	1.125	1.86	0.086	0.28
1/2 NPT F X 3/8 HP M	X8NF06H15	15,000	1.125	2.09	0.120	0.33
1/2 NPT F X 9/16 HP M	X8NF09H15	15,000	1.125	2.20	0.182	0.45
3/4 NPT F X 3/8 HP M	X12NF06H10	10,000	1.375	2.12	0.120	0.45
3/4 NPT F X 9/16 HP M	X12NF09H10	10,000	1.375	2.24	0.182	0.57
1 NPT F X 9/16 HP M	X16NF09H10	10,000	1.750	2.48	0.182	0.93

THE INFORMATION CONTAINED IN THIS DRAWING IS THE SOLE PROPERTY OF ONEHYDRAULICS. ANY REPRODUCTION IN PART OR AS A WHOLE WITHOUT THE WRITTEN PERMISSION FROM ONEHYDRAULICS IS PROHIBITED.

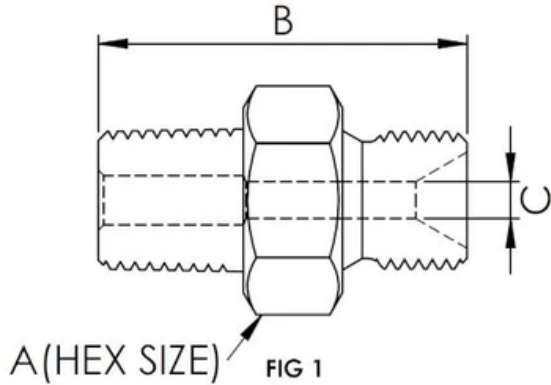
NPT FEMALE X HP FEMALE ADAPTERS



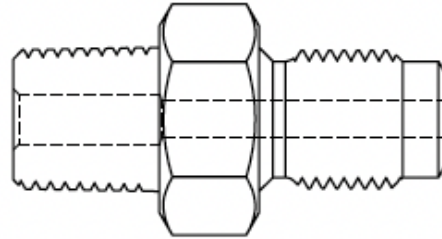
DESCRIPTION	PART NUMBER	PSI	(A) HEX	(B) OAL	(C) THRU	LBS
1/4 NPT F X 1/4 HP F	X4NF04HF15	15,000	0.750	1.53	0.086	0.15
1/4 NPT F X 3/8 HP F	X4NF06HF15	15,000	1.000	1.73	0.120	0.32
1/4 NPT F X 9/16 HP F	X4NF09HF15	15,000	1.375	1.90	0.182	0.65
3/8 NPT F X 1/4 HP F	X6NF04HF15	15,000	0.875	1.56	0.086	0.20
3/8 NPT F X 3/8 HP F	X6NF06HF15	15,000	1.000	1.75	0.120	0.30
3/8 NPT F X 9/16 HP F	X6NF09HF15	15,000	1.375	1.94	0.182	0.64
1/2 NPT F X 1/4 HP F	X8NF04HF15	15,000	1.125	1.79	0.086	0.41
1/2 NPT F X 3/8 HP F	X8NF06HF15	15,000	1.125	1.98	0.120	0.42
1/2 NPT F X 9/16 HP F	X8NF09HF15	15,000	1.375	2.16	0.182	0.68
3/4 NPT F X 1/4 HP F	X12NF04HF10	10,000	1.375	1.83	0.086	0.63
3/4 NPT F X 3/8 HP F	X12NF06HF10	10,000	1.375	2.01	0.120	0.67
3/4 NPT F X 9/16 HP F	X12NF09HF10	10,000	1.375	2.20	0.182	0.62
1 NPT F X 1/4 HP F	X16NF04HF10	10,000	1.750	2.06	0.086	1.15
1 NPT F X 3/8 HP F	X16NF06HF10	10,000	1.750	2.26	0.120	1.26
1 NPT F X 9/16 HP F	X16NF09HF10	10,000	1.750	2.44	0.182	1.25

THE INFORMATION CONTAINED IN THIS DRAWING IS THE SOLE PROPERTY OF ONEHYDRAULICS. ANY REPRODUCTION IN PART OR AS A WHOLE WITHOUT THE WRITTEN PERMISSION FROM ONEHYDRAULICS IS PROHIBITED.

NPT MALE X BSP MALE ADAPTERS



INTERNAL

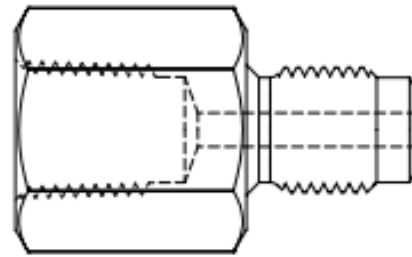
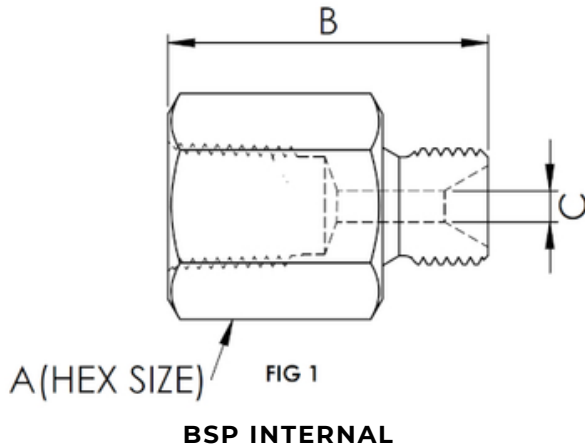


EXTERNAL

DESCRIPTION	PART NUMBER	PSI	(A) HEX	(B) OAL	(C) THRU	LBS
1/4 NPT M X 1/4 BSP INT	X4N04B15	15,000	0.750	1.40	0.140	0.10
1/4 NPT M X 1/4 BSP EXT	X4N04BEXT15	15,000	0.750	1.64	0.140	0.11
3/8 NPT M X 3/8 BSP M	X6N06B15	15,000	0.875	1.45	0.140	0.15
1/2 NPT M X 1/4 BSP M	X8N04B15	15,000	0.875	1.60	0.140	0.18
1/2 NPT M X 3/8 BSP M	X8N06B15	15,000	0.875	1.60	0.140	0.19
1/2 NPT M X 1/2 BSP M	X8N08B15	15,000	1.000	1.84	0.203	0.27
1 NPT M X 3/8 BSP M	X16N06B10	10,000	1.375	2.11	0.140	0.59

THE INFORMATION CONTAINED IN THIS DRAWING IS THE SOLE PROPERTY OF ONEHYDRAULICS. ANY REPRODUCTION IN PART OR AS A WHOLE WITHOUT THE WRITTEN PERMISSION FROM ONEHYDRAULICS IS PROHIBITED.

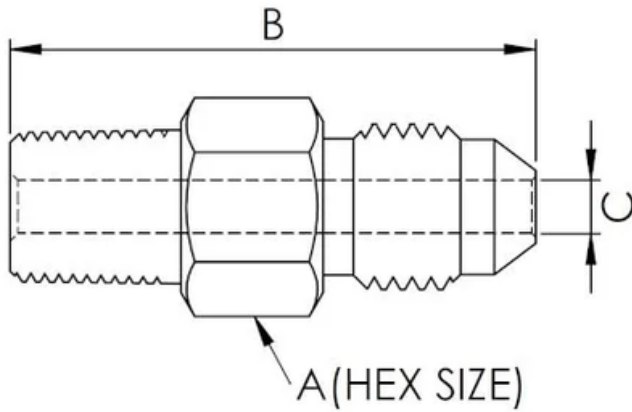
NPT FEMALE X BSP MALE ADAPTERS



DESCRIPTION	PART NUMBER	PSI	(A) HEX	(B) OAL	(C) THRU	LBS
1/4 NPT F X 1/4 BSP INT	X4NF04B15	15,000	0.875	1.43	0.140	0.16
1/4 NPT F X 1/4 BSP EXT	4NF04BEXT15	15,000	0.875	1.67	0.140	0.17
3/8 NPT F X 3/8 BSP	X6NF06B15	15,000	1.000	1.45	0.140	0.21
1/2 NPT F X 1/2 BSP	X8NF08B15	15,000	1.25	1.79	0.203	0.40

THE INFORMATION CONTAINED IN THIS DRAWING IS THE SOLE PROPERTY OF ONEHYDRAULICS.
ANY REPRODUCTION IN PART OR AS A WHOLE WITHOUT THE WRITTEN PERMISSION FROM ONEHYDRAULICS IS PROHIBITED.

NPT MALE X JIC MALE ADAPTERS



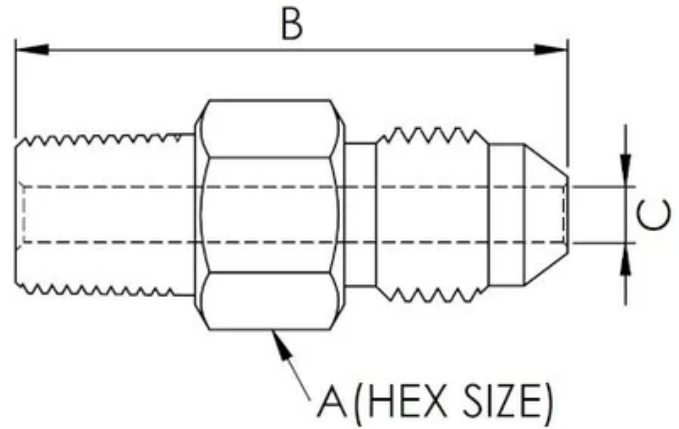
DESCRIPTION	PART NUMBER	PSI	(A) HEX	(B) OAL	(C) THRU	LBS
1/8 NPT M X 1/4 JIC M	X2N04J15	15,000	0.500	1.39	0.140	0.05
1/4 NPT M X 1/4 JIC M	X4N04J15	15,000	0.625	1.49	0.140	0.08
1/4 NPT M X 3/8 JIC M	X4N06J15	15,000	0.625	1.49	0.187	0.09
1/4 NPT M X 1/2 JIC M	X4N08J15	15,000	0.875	1.58	0.312	0.17
3/8 NPT M X 1/4 JIC M	X6N04J15	15,000	1.125	1.80	0.312	0.29
3/8 NPT M X 3/8 JIC M	X6N06J15	15,000	1.54	0.750	0.203	0.12
3/8 NPT M X 1/2 JIC M	X6N08J15	15,000	0.750	0.64	0.312	0.14
1/2 NPT M X 1/4 JIC M	X8N04J15	15,000	0.875	1.69	0.140	0.17
1/2 NPT M X 3/8 JIC M	X8N06J15	15,000	0.875	1.69	0.203	0.18
1/2 NPT M X 1/2 JIC M	X8N08J15	15,000	0.875	1.79	0.312	0.20

CONTINUED...

THE INFORMATION CONTAINED IN THIS DRAWING IS THE SOLE PROPERTY OF ONEHYDRAULICS. ANY REPRODUCTION IN PART OR AS A WHOLE WITHOUT THE WRITTEN PERMISSION FROM ONEHYDRAULICS IS PROHIBITED.

NPT MALE X JIC MALE ADAPTERS

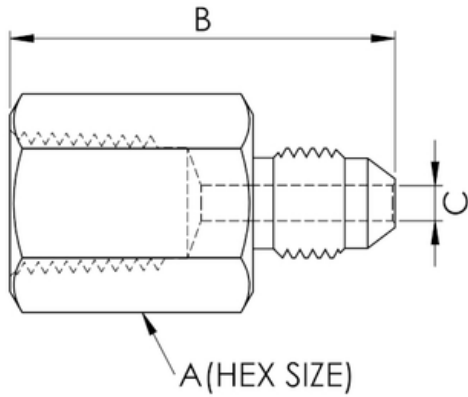
CONTINUED...



DESCRIPTION	PART NUMBER	PSI	(A) HEX	(B) OAL	(C) THRU	LBS
3/4 NPT M X 3/8 JIC M	X12N06J10	10,000	1.125	1.92	0.203	0.32
3/4 NPT M X 1/2 JIC M	X12N08J10	10,000	1.125	2.01	0.312	0.34
3/4 NPT M X 3/4 JIC M	X12N12J10	10,000	1.125	2.22	0.500	0.40
3/4 NPT M X 1 JIC M	X12N16J10	10,000	1.375	2.40	0.550	0.58
1 NPT M X 1/2 JIC M	X16N08J10	10,000	1.375	2.30	0.312	0.59
1 NPT M X 3/4 JIC M	X16N12J10	10,000	1.375	2.51	0.500	0.65
1 NPT M X 1 JIC M	X16N16J10	10,000	1.375	2.56	0.687	0.68

THE INFORMATION CONTAINED IN THIS DRAWING IS THE SOLE PROPERTY OF ONEHYDRAULICS. ANY REPRODUCTION IN PART OR AS A WHOLE WITHOUT THE WRITTEN PERMISSION FROM ONEHYDRAULICS IS PROHIBITED.

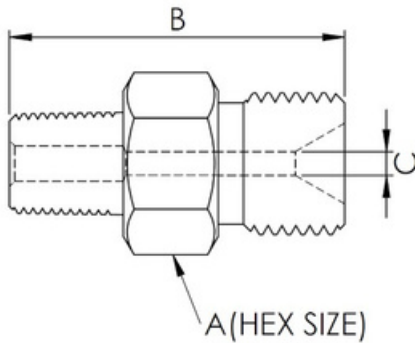
NPT FEMALE X JIC MALE ADAPTERS



DESCRIPTION	PART NUMBER	PSI	(A) HEX	(B) OAL	(C) THRU	LBS
1/4 NPT F X 1/4 JIC M	X4NF04J15	15,000	0.750	1.52	0.140	0.11
1/4 NPT F X 3/8 JIC M	X4NF06J15	15,000	0.625	1.39	0.086	0.09
1/4 NPT F X 1/2 JIC M	X4NF08J15	15,000	0.750	1.62	0.120	0.16
3/8 NPT F X 1/4 JIC M	X6NF04J15	15,000	0.875	1.54	0.140	0.14
3/8 NPT F X 3/8 JIC M	X6NF06J15	15,000	0.875	1.53	0.203	0.14
3/8 NPT F X 1/2 JIC M	X6NF08J15	15,000	0.875	1.61	0.312	0.16
1/2 NPT F X 1/4 JIC M	X8NF04J15	15,000	1.125	1.77	0.140	0.27
1/2 NPT F X 3/8 JIC M	X8NF06J15	15,000	1.125	1.76	0.203	0.27
1/2 NPT F X 1/2 JIC M	X8NF08J15	15,000	0.875	1.86	0.120	0.20
1/2 NPT F X 3/4 JIC M	X8NF12J10	10,000	1.125	2.01	0.500	0.35
3/4 NPT F X 1/2 JIC M	X12NF08J10	10,000	1.375	1.87	0.312	0.41
3/4 NPT F X 3/4 JIC M	X12NF12J10	10,000	1.375	2.05	0.500	0.47
1 NPT F X 1 JIC M	X16NF16J10	15,000	1.125	2.20	0.182	0.45

THE INFORMATION CONTAINED IN THIS DRAWING IS THE SOLE PROPERTY OF ONEHYDRAULICS. ANY REPRODUCTION IN PART OR AS A WHOLE WITHOUT THE WRITTEN PERMISSION FROM ONEHYDRAULICS IS PROHIBITED.

NPT MALE X TYPE-M MALE ADAPTERS



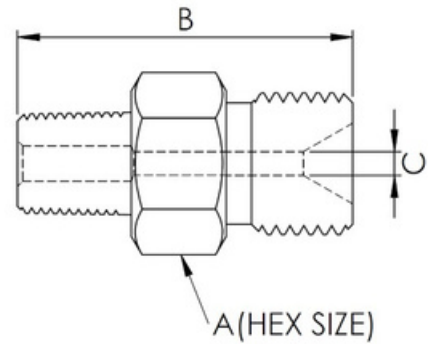
DESCRIPTION	PART NUMBER	PSI	(A) HEX	(B) OAL	(C) THRU	LBS
1/8 NPT M X 9/16 TYPE-M	X2N09TM15	15,000	0.625	1.33	0.093	0.08
1/4 NPT M X 9/16 TYPE-M	X4N09TM15	15,000	0.625	1.43	0.093	0.09
1/4 NPT M X 3/4 TYPE-M	X4N12TM15	15,000	0.750	1.55	0.187	0.13
1/4 NPT M X 1 TYPE-M	X4N16TM15	15,000	1.000	1.68	0.187	0.24
3/8 NPT M X 9/16 TYPE-M	X6N09TM15	15,000	0.750	1.48	0.093	0.12
3/8 NPT M X 3/4 TYPE-M	X6N12TM15	15,000	0.750	1.60	0.312	0.14
3/8 NPT M X 1 TYPE-M	X6N16TM15	15,000	1.000	1.73	0.312	0.25
1/2 NPT M X 9/16 TYPE-M	X8N09TM15	15,000	0.875	1.63	0.093	0.19
1/2 NPT M X 9/16 TYPE-M	X8N12TM15	15,000	0.875	1.75	0.312	0.20
1/2 NPT M X 1 TYPE-M	X8N16TM15	15,000	1.000	1.88	0.375	0.29
1/2 NPT M X 1-5/16 TYPE-M	X8N21TM15	15,000	1.375	2.00	0.375	0.50
3/4 NPT M X 9/16 TYPE-M	X12N09TM10	10,000	1.125	1.85	0.093	0.32
3/4 NPT M X 3/4 TYPE-M	X12N12TM10	10,000	1.125	1.98	0.312	0.34
3/4 NPT M X 1 TYPE-M	X12N16TM10	10,000	1.125	1.98	0.390	0.38
3/4 NPT M X 1-5/16 TYPE-M	X12N21TM10	10,000	1.375	2.10	0.550	0.53

CONTINUED...

THE INFORMATION CONTAINED IN THIS DRAWING IS THE SOLE PROPERTY OF ONEHYDRAULICS. ANY REPRODUCTION IN PART OR AS A WHOLE WITHOUT THE WRITTEN PERMISSION FROM ONEHYDRAULICS IS PROHIBITED.

NPT MALE X TYPE-M MALE ADAPTERS

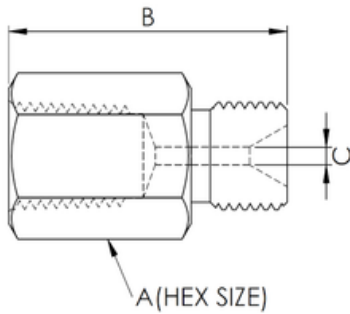
CONTINUED...



DESCRIPTION	PART NUMBER	PSI	(A) HEX	(B) OAL	(C) THRU	LBS
1 NPT M X 9/16 TYPE-M	X16N09TM10	10,000	1.375	2.14	0.093	0.58
1 NPT M X 3/4 TYPE-M	X16N12TM10	10,000	1.375	2.26	0.312	0.60
1 NPT M X 1 TYPE-M	X16N16TM10	10,000	1.375	2.26	0.390	0.63
1 NPT M X 1-5/16 TYPE-M	X16N21TM10	10,000	1.375	2.26	0.687	0.63
1-1/4 NPT M X 1-5/16 TYPE-M	X20N16TM07	7,000	1.750	2.51	0.390	1.16
1-1/4 NPT M X 1-5/16 TYPE-M	X20N21TM07	7,000	1.750	2.51	0.687	1.14
2 NPT M X 1-5/16 TYPE-M	X32N21TM07	7,000	2.500	2.60	0.687	2.37

THE INFORMATION CONTAINED IN THIS DRAWING IS THE SOLE PROPERTY OF ONEHYDRAULICS. ANY REPRODUCTION IN PART OR AS A WHOLE WITHOUT THE WRITTEN PERMISSION FROM ONEHYDRAULICS IS PROHIBITED.

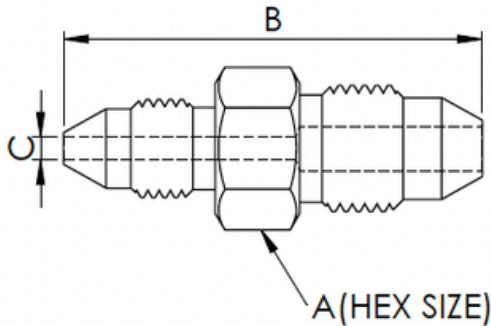
NPT FEMALE X TYPE-M MALE ADAPTERS



DESCRIPTION	PART NUMBER	PSI	(A) HEX	(B) OAL	(C) THRU	LBS
1/4 NPT F X 9/16 TYPE M	X4NF09TM15	15,000	0.750	1.45	0.093	0.12
1/4 NPT F X 3/4 TYPE M	X4NF12TM15	15,000	0.750	1.53	0.312	0.14
3/8 NPT F X 9/16 TYPE M	X6NF09TM15	15,000	0.875	1.49	0.093	0.15
3/8 NPT F X 3/4 TYPE M	X6NF12TM15	15,000	0.875	1.58	0.312	0.17
1/2 NPT F X 3/4 TYPE M	X8NF12TM15	15,000	1.125	1.80	0.312	0.29
1/2 NPT F X 1 TYPE M	X8NF16TM15	15,000	1.125	1.79	0.390	0.33
3/4 NPT F X 9/16 TYPE M	X12NF09TM10	10,000	1.375	1.75	0.093	0.42
3/4 NPT F X 3/4 TYPE M	X12NF12TM10	15,000	0.875	1.53	0.437	0.19
3/4 NPT F X 3/4 TYPE M	X12NF12TM10	10,000	1.375	1.83	0.312	0.41
3/4 NPT F X 1 TYPE M	X12NF16TM10	10,000	1.375	1.83	0.390	0.45
1 NPT F X 9/16 TYPE M	X16NF09TM10	10,000	1.750	2.00	0.093	0.78
1 NPT F X 3/4 TYPE M	X16NF12TM10	10,000	1.750	2.08	0.312	0.77
1 NPT F X 1 TYPE M	X16NF16TM10	10,000	1.750	2.07	0.390	0.80
1 NPT F X 1-5/16 TYPE M	X16NF21TM10	10,000	1.750	2.01	0.687	0.78

THE INFORMATION CONTAINED IN THIS DRAWING IS THE SOLE PROPERTY OF ONEHYDRAULICS. ANY REPRODUCTION IN PART OR AS A WHOLE WITHOUT THE WRITTEN PERMISSION FROM ONEHYDRAULICS IS PROHIBITED.

MP MALE X MP MALE ADAPTERS

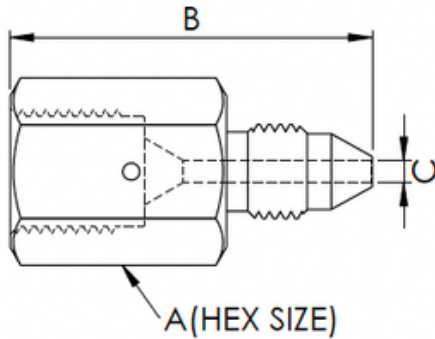


DESCRIPTION	PART NUMBER	PSI	(A) HEX	(B) OAL	(C) THRU	LBS
1/4 MP M X 1/4 MP M	X4M04M20	20,000	0.500	1.73	0.140	0.06
1/4 MP M X 3/8 MP M	X4M06M20	20,000	0.625	1.86	0.140	0.09
1/4 MP M X 9/16 MP M	X4M09M20	20,000	0.875	2.05	0.140	0.18
1/4 MP M X 3/4 MP M	X4M12M20	20,000	1.125	2.36	0.140	0.34
1/4 MP M X 1 MP M	X4M16M20	20,000	1.125	3.73	0.140	0.56
3/8 MP M X 3/8 MP M	X6M06M20	20,000	0.625	2.00	0.196	0.10
3/8 MP M X 9/16 MP M	X6M09M20	20,000	0.875	2.19	0.196	0.19
3/8 MP M X 3/4 MP M	X6M12M20	20,000	1.125	2.50	0.196	0.36
3/8 MP M X 1 MP M	X6M16M20	20,000	1.125	3.86	0.196	0.56
9/16 MP M X 9/16 MP M	X9M09M20	20,000	0.875	2.38	0.307	0.24
9/16 MP M X 1 MP M	X9M16M20-K	20,000	1.125	4.05	0.307	0.62
3/4 MP M X 3/4 MP M	X12M12M20	20,000	1.125	2.87	0.430	0.48
3/4 MP M X 3/4 MP M	X12M16M20-K	20,000	1.125	4.24	0.430	0.69
1 MP M X 1 MP M (1PC)	X16M16M20-1P	20,000	1.375	4.13	0.531	1.21

• K = KIT INCLUDING COLLETS

THE INFORMATION CONTAINED IN THIS DRAWING IS THE SOLE PROPERTY OF ONEHYDRAULICS.
 ANY REPRODUCTION IN PART OR AS A WHOLE WITHOUT THE WRITTEN PERMISSION FROM ONEHYDRAULICS IS PROHIBITED.

MP MALE X MP FEMALE ADAPTERS



DESCRIPTION	PART NUMBER	PSI	(A) HEX	(B) OAL	(C) THRU	LBS
1/4 MP M X 3/8 MP F	X4M06MF20-K	20,000	0.750	1.68	0.101	0.12
1/4 MP M X 9/16 MP F	X4M09MF20-K	20,000	1.000	2.18	0.101	0.27
3/8 MP M X 1/4 MP F	X6M04MF20-K	20,000	0.625	1.58	0.101	0.09
3/8 MP M X 9/16 MP F	X6M09MF20-K	20,000	1.000	2.38	0.196	0.30
3/8 MP M X 3/4 MP F	X6M12MF20-K	20,000	1.375	2.35	0.196	0.52
3/8 MP M X 1 MP F	X6M16MF20-K	20,000	1.750	2.86	0.196	1.01
9/16 MP M X 1/4 MP F	X9M04MF20-K	20,000	0.875	1.80	0.101	0.22
9/16 MP M X 3/8 MP F	X9M06MF20-K	20,000	0.875	1.90	0.196	0.22
9/16 MP M X 3/4 MP F	X9M12MF20-K	20,000	1.375	2.50	0.307	0.55
9/16 MP M X 1 MP F	X9M16MF20-K	20,000	1.750	3.05	0.307	1.07

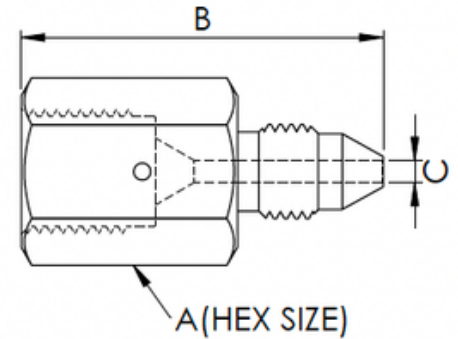
CONTINUED...

• K = KIT INCLUDING COLLETS

THE INFORMATION CONTAINED IN THIS DRAWING IS THE SOLE PROPERTY OF ONEHYDRAULICS. ANY REPRODUCTION IN PART OR AS A WHOLE WITHOUT THE WRITTEN PERMISSION FROM ONEHYDRAULICS IS PROHIBITED.

MP MALE X MP FEMALE ADAPTERS

CONTINUED...

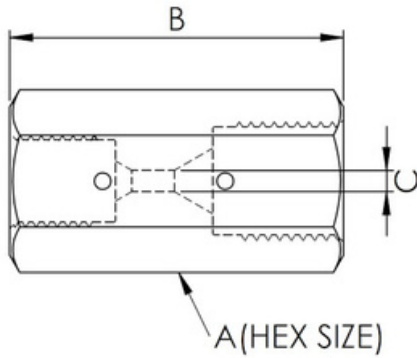


DESCRIPTION	PART NUMBER	PSI	(A) HEX	(B) OAL	(C) THRU	LBS
3/4 MP M X 1/4 MP F	X12M04MF20-K	20,000	1.125	2.04	0.101	0.42
3/4 MP M X 3/8 MP F	X12M06MF20-K	20,000	1.125	2.16	0.196	0.43
3/4 MP M X 9/16 MP F	X12M09MF20-K	20,000	1.125	2.30	0.307	0.40
3/4 MP M X 1 MP F	X12M16MF20-K	20,000	1.750	3.17	0.430	1.09
1 MP M X 1/4 MP F	X16M04MF20-K	20,000	1.125	3.43	0.101	0.64
1 MP M X 3/8 MP F	X16M06MF20-K	20,000	1.125	3.50	0.196	0.64
1 MP M X 9/16 MP F	X16M09MF20-K	20,000	1.125	3.71	0.307	0.63
1 MP M X 3/4 MP F	X16M12MF20-K	20,000	1.375	3.87	0.430	0.77

• K = KIT INCLUDING COLLETS

THE INFORMATION CONTAINED IN THIS DRAWING IS THE SOLE PROPERTY OF ONEHYDRAULICS.
 ANY REPRODUCTION IN PART OR AS A WHOLE WITHOUT THE WRITTEN PERMISSION FROM ONEHYDRAULICS IS PROHIBITED.

MP FEMALE X MP FEMALE ADAPTERS



DESCRIPTION	PART NUMBER	PSI	(A) HEX	(B) OAL	(C) THRU	LBS
1/4 MP F X 1/4 MP F	X4MF04MF20-K	20,000	0.625	1.36	0.101	0.09
1/4 MP F X 1/4 MP F	X4MF04MF20-BH-K*	20,000	0.625	1.36	0.101	0.09
1/4 MP F X 3/8 MP F	X4MF06MF20-K	20,000	0.750	1.58	0.101	0.16
1/4 MP F X 9/16 MP F	X4MF09MF20-K	20,000	1.000	2.12	0.101	0.39
1/4 MP F X 3/4 MP F	X4MF12MF20-K	20,000	1.375	2.14	0.101	0.75
1/4 MP F X 1 MP F	X4MF16MF20-K	20,000	1.750	2.64	0.101	1.42
3/8 MP F X 3/8 MP F	X6MF06MF20-K	20,000	0.750	1.64	0.169	0.15
3/8 MP F X 3/8 MP F	X6MF06MF20-BH-K*	20,000	0.750	1.64	0.169	0.15
3/8 MP F X 9/16 MP F	X6MF09MF20-K	20,000	1.000	2.24	0.196	0.40
3/8 MP F X 3/4 MP F	X6MF12MF20-K	20,000	1.375	2.26	0.196	0.79
3/8 MP F X 1 MP F	X6MF16MF20-K	20,000	1.750	2.76	0.196	1.49

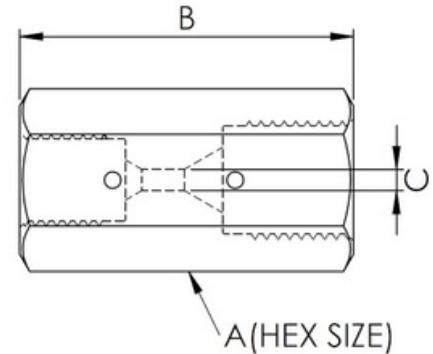
CONTINUED...

- BH = BULKHEAD STYLE
- K = KIT INCLUDING COLLETS

THE INFORMATION CONTAINED IN THIS DRAWING IS THE SOLE PROPERTY OF ONEHYDRAULICS. ANY REPRODUCTION IN PART OR AS A WHOLE WITHOUT THE WRITTEN PERMISSION FROM ONEHYDRAULICS IS PROHIBITED.

MP FEMALE X MP FEMALE ADAPTERS

CONTINUED...

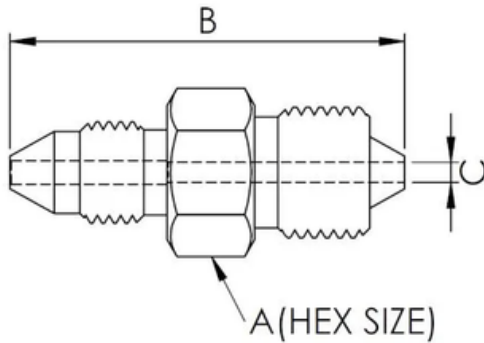


DESCRIPTION	PART NUMBER	PSI	(A) HEX	(B) OAL	(C) THRU	LBS
9/16 MP F X 9/16 MP F	X9MF09MF20-K	20,000	1.000	2.05	0.307	0.28
9/16 MP F X 9/16 MP F	X9MF09MF20-BH-K*	20,000	1.000	2.05	0.307	0.28
9/16 MP F X 3/4 MP F	X9MF12MF20-K	20,000	1.375	2.45	0.307	0.80
9/16 MP F X 1 MP F	X9MF16MF20-K	20,000	1.750	2.95	0.307	1.56
3/4 MP F X 3/4 MP F	X12MF12MF20-K	20,000	1.375	2.44	0.430	0.68
3/4 MP F X 3/4 MP F	X12MF12MF20-BH-K*	20,000	1.375	2.44	0.430	0.68
3/4 MP F X 1 MP F	X12MF16MF20-K	20,000	1.750	3.12	0.430	1.57
1 MP F X 1 MP F	X16MF16MF20-K	20,000	1.750	3.47	0.531	1.50
1 MP F X 1 MP F	X16MF16MF20-BH-K	20,000	1.750	3.47	0.531	1.50

- BH = BULKHEAD STYLE
- K = KIT INCLUDING COLLETS

THE INFORMATION CONTAINED IN THIS DRAWING IS THE SOLE PROPERTY OF ONEHYDRAULICS.
 ANY REPRODUCTION IN PART OR AS A WHOLE WITHOUT THE WRITTEN PERMISSION FROM ONEHYDRAULICS IS PROHIBITED.

MP MALE X HP MALE ADAPTERS

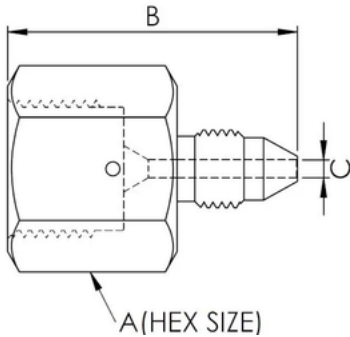


DESCRIPTION	PART NUMBER	PSI	(A) HEX	(B) OAL	(C) THRU	LBS
1/4 MP M X 1/4 HP M	X4M04H20	20,000	0.625	1.70	0.140	0.08
1/4 MP M X 3/8 HP M	X4M06H20	20,000	0.750	1.93	0.101	0.14
1/4 MP M X 9/16 HP M	X4M09H20	20,000	1.125	2.18	0.101	0.37
3/8 MP M X 1/4 HP M	X6M04H20	20,000	0.625	1.83	0.086	0.10
3/8 MP M X 3/8 HP M	X6M06H20	20,000	0.750	2.06	0.120	0.16
3/8 MP M X 9/16 HP M	X6M09H20	20,000	1.125	2.31	0.182	0.39
9/16 MP M X 1/4 HP M	X9M04H20	20,000	0.875	2.02	0.086	0.19
9/16 MP M X 3/8 HP M	X9M06H20	20,000	0.875	2.25	0.120	0.23
9/16 MP M X 9/16 HP M	X9M09H20	20,000	1.125	2.50	0.182	0.44
3/4 MP M X 1/4 HP M	X12M04H20	20,000	1.125	2.33	0.086	0.36
3/4 MP M X 3/8 HP M	X12M06H20	20,000	1.125	2.56	0.120	0.40
3/4 MP M X 9/16 HP M	X12M09H20	20,000	1.125	2.69	0.182	0.52
1 MP M X 1/4 HP M	X16M04H20-K	20,000	1.125	3.70	0.086	0.56
1 MP M X 3/8 HP M	X16M06H20-K	20,000	1.125	3.93	0.120	0.60
1 MP M X 9/16 HP M	X16M09H20-K	20,000	1.125	4.05	0.182	0.73

• K = KIT INCLUDING COLLETS

THE INFORMATION CONTAINED IN THIS DRAWING IS THE SOLE PROPERTY OF ONEHYDRAULICS. ANY REPRODUCTION IN PART OR AS A WHOLE WITHOUT THE WRITTEN PERMISSION FROM ONEHYDRAULICS IS PROHIBITED.

MP MALE X HP FEMALE ADAPTERS

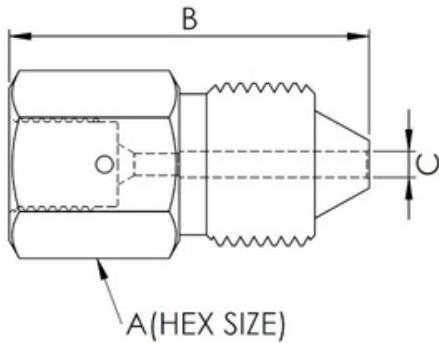


DESCRIPTION	PART NUMBER	PSI	(A) HEX	(B) OAL	(C) THRU	LBS
1/4 MP M X 1/4 HP F	X4M04HF20-K	20,000	0.750	1.43	0.086	0.09
1/4 MP M X 3/8 HP F	X4M06HF20-K	20,000	1.000	1.63	0.101	0.18
1/4 MP M X 9/16 HP F	X4M09HF20-K	20,000	1.375	2.00	0.101	0.42
3/8 MP M X 1/4 HP F	X6M04HF20-K	20,000	0.875	1.56	0.086	0.11
3/8 MP M X 3/8 HP F	X6M06HF20-K	20,000	1.000	1.73	0.120	0.19
3/8 MP M X 9/16 HP F	X6M09HF20-K	20,000	1.375	1.96	0.182	0.36
9/16 MP M X 1/4 HP F	X9M04HF20-K	20,000	0.750	1.64	0.169	0.15
9/16 MP M X 3/8 HP F	X9M06HF20-K	20,000	1.000	1.95	0.120	0.25
9/16 MP M X 9/16 HP F	X9M09HF20-K	20,000	1.375	2.15	0.182	0.41
3/4 MP M X 1/4 HP F	X12M04HF20-K	20,000	1.125	2.02	0.086	0.40
3/4 MP M X 3/8 HP F	X12M06HF20-K	20,000	1.125	2.19	0.120	0.41
3/4 MP M X 9/16 HP F	X12M09HF20-K	20,000	1.375	2.39	0.182	0.52
1 MP M X 1/4 HP F	X16M04HF20-K	20,000	1.125	3.40	0.086	0.61
1 MP M X 3/8 HP F	X16M06HF20-K	20,000	1.125	3.60	0.120	0.63
1 MP M X 9/16 HP F	X16M09HF20-K	20,000	1.375	3.75	0.182	0.73

• K = KIT INCLUDING COLLETS

THE INFORMATION CONTAINED IN THIS DRAWING IS THE SOLE PROPERTY OF ONEHYDRAULICS.
 ANY REPRODUCTION IN PART OR AS A WHOLE WITHOUT THE WRITTEN PERMISSION FROM ONEHYDRAULICS IS PROHIBITED.

MP FEMALE X HP MALE ADAPTERS

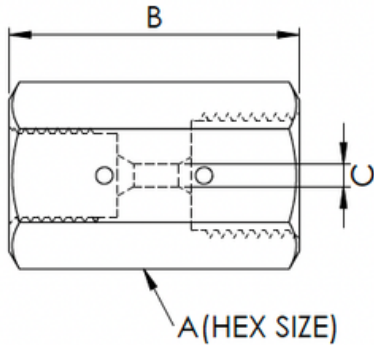


DESCRIPTION	PART NUMBER	PSI	(A) HEX	(B) OAL	(C) THRU	LBS
1/4 MP F X 1/4 HP M	X4MF04H20-K	20,000	0.625	1.44	0.086	0.09
1/4 MP F X 3/8 HP M	X4MF06H20-K	20,000	0.750	1.66	0.101	0.16
1/4 MP F X 9/16 HP M	X4MF09H20-K	20,000	1.125	1.80	0.101	0.43
3/8 MP F X 1/4 HP M	X6MF04H20-K	20,000	0.750	1.66	0.086	0.13
3/8 MP F X 3/8 HP M	X6MF06H20-K	20,000	0.750	1.86	0.120	0.17
3/8 MP F X 9/16 HP M	X6MF09H20-K	20,000	1.125	1.93	0.182	0.45
9/16 MP F X 1/4 HP M	X9MF04H20-K	20,000	1.000	2.19	0.086	0.30
9/16 MP F X 9/16 HP M	X9MF09H20-K	20,000	1.125	2.50	0.182	0.56
3/4 MP F X 1/4 HP M	X12MF04H20-K	20,000	1.375	2.21	0.086	0.53
3/4 MP F X 1/4 HP M	X12MF06H20-K	20,000	1.375	2.43	0.120	.057
3/4 MP F X 9/16 HP M	X12MF09H20-K	20,000	1.375	2.55	0.182	0.70
1 MP F X 1/4 HP M	X16MF04H20-K	20,000	1.750	2.70	0.086	1.02
1 MP F X 3/8 HP M	X16MF06H20-K	20,000	1.750	2.93	0.120	1.07
1 MP F X 9/16 HP M	X16MF09H20-K	20,000	1.750	3.04	0.182	1.18

• K = KIT INCLUDING COLLETS

THE INFORMATION CONTAINED IN THIS DRAWING IS THE SOLE PROPERTY OF ONEHYDRAULICS. ANY REPRODUCTION IN PART OR AS A WHOLE WITHOUT THE WRITTEN PERMISSION FROM ONEHYDRAULICS IS PROHIBITED.

MP FEMALE X HP FEMALE ADAPTERS



DESCRIPTION	PART NUMBER	PSI	(A) HEX	(B) OAL	(C) THRU	LBS
1/4 MP F X 1/4 HP F	X4MF04HF20-K	20,000	0.750	1.34	0.086	0.14
1/4 MP F X 3/8 HP F	X4MF06HF20-K	20,000	1.000	1.55	0.101	0.29
1/4 MP F X 9/16 HP F	X4MF09HF20-K	20,000	1.375	1.90	0.101	0.66
3/8 MP F X 1/4 HP F	X6MF04HF20-K	20,000	0.750	1.60	0.086	0.15
3/8 MP F X 9/16 HP F	X6MF09HF20-K	20,000	1.375	1.89	0.182	0.63
9/16 MP F X 1/4 HP F	X9MF04HF20-K	20,000	1.000	2.10	0.086	0.37
9/16 MP F X 3/8 HP F	X9MF06HF20-K	20,000	1.000	2.27	0.120	0.37
9/16 MP F X 9/16 HP F	X9MF09HF20-BH-K	20,000	1.375	2.46	0.182	0.82
3/4 MP F X 1/4 HP F	X12MF04HF20-K	20,000	1.375	2.13	0.086	0.73
3/4 MP F X 3/8 HP F	X12MF06HF20-K	20,000	1.375	2.38	0.120	0.81
3/4 MP F X 9/16 HP F	X12MF09HF20-K	20,000	1.375	2.54	0.182	0.74
1 MP F X 1/4 HP F	X16MF04HF20-K	20,000	1.750	2.63	0.086	1.40
1 MP F X 3/8 HP F	X16MF06HF20-K	20,000	1.750	2.83	0.120	1.51
1 MP F X 9/16 HP F	X16MF09HF20-K	20,000	1.750	3.00	0.182	1.49

• K = KIT INCLUDING COLLETS

THE INFORMATION CONTAINED IN THIS DRAWING IS THE SOLE PROPERTY OF ONEHYDRAULICS.
ANY REPRODUCTION IN PART OR AS A WHOLE WITHOUT THE WRITTEN PERMISSION FROM ONEHYDRAULICS IS PROHIBITED.

MP MALE X BSP MALE ADAPTERS

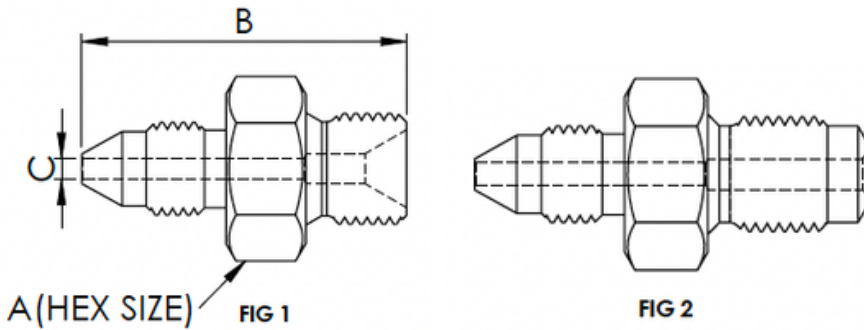


FIGURE 1

DESCRIPTION	PART NUMBER	PSI	(A) HEX	(B) OAL	(C) THRU	LBS
1/4 MP M X 1/4 BSP M	X4M04B20	20,000	0.750	1.52	0.101	0.09
3/8 MP M X 3/8 BSP M	X6M06B20	20,000	0.875	1.66	0.140	0.14
9/16 MP M X 1/4 BSP M	X9M04B20	20,000	0.875	1.85	0.140	0.18
9/16 MP M X 3/8 BSP M	X9M06B20	20,000	0.875	1.85	0.140	0.19
9/16 MP M X 1/2 BSP M	X9M08B20	20,000	1.000	2.09	0.203	0.27

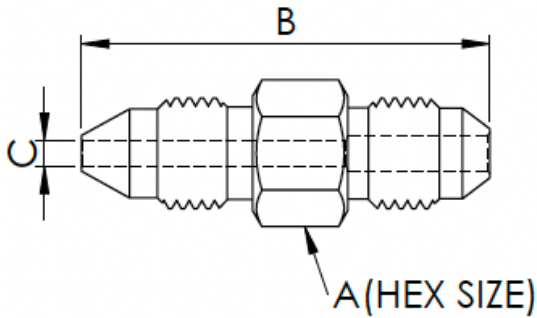
FIGURE 2

DESCRIPTION	PART NUMBER	PSI	(A) HEX	(B) OAL	(C) THRU	LBS
1/4 MP M X 1/4 BSP M EXT	X4M04BEXT20	20,000	0.750	1.77	0.140	0.10

• K = KIT INCLUDING COLLETS

THE INFORMATION CONTAINED IN THIS DRAWING IS THE SOLE PROPERTY OF ONEHYDRAULICS. ANY REPRODUCTION IN PART OR AS A WHOLE WITHOUT THE WRITTEN PERMISSION FROM ONEHYDRAULICS IS PROHIBITED.

MP MALE X JIC MALE ADAPTERS



DESCRIPTION	PART NUMBER	PSI	(A) HEX	(B) OAL	(C) THRU	LBS
1/4 MP M X 1/4 JIC M	X4M04J15	15,000	0.500	1.61	0.101	0.05
1/4 MP M X 3/8 JIC M	X4M06J15	15,000	0.625	1.62	0.101	0.08
1/4 MP M X 1/2 JIC M	X4M08J15	15,000	0.750	1.71	0.101	0.12
3/8 MP M X 1/4 JIC M	X6M04J15	15,000	0.625	1.75	0.140	0.08
3/8 MP M X 3/8 JIC M	X6M06J15	15,000	0.625	1.75	0.196	0.09
3/8 MP M X 1/2 JIC M	X6M08J15	15,000	0.750	1.85	0.196	0.13
9/16 MP M X 1/4 JIC M	X9M04J15	15,000	0.875	1.94	0.140	0.17
9/16 MP M X 3/8 JIC M	X9M06J15	15,000	0.875	1.94	0.203	0.18
9/16 MP M X 1/2 JIC M	X9M08J15	15,000	0.875	2.04	0.307	0.20
9/16 MP M X 5/8 JIC M	X9M10J10	10,000	0.875	2.14	0.307	0.22
9/16 MP M X 3/4 JIC M	X9M12J10	10,000	1.125	2.37	0.307	0.36
9/16 MP M X 1 JIC M	X9M16J10	10,000	1.375	2.55	0.307	0.55

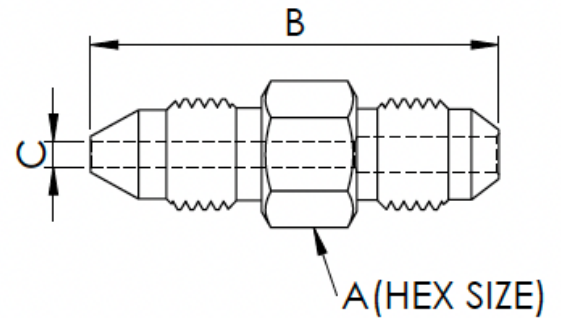
CONTINUED...

• K = KIT INCLUDING COLLETS

THE INFORMATION CONTAINED IN THIS DRAWING IS THE SOLE PROPERTY OF ONEHYDRAULICS. ANY REPRODUCTION IN PART OR AS A WHOLE WITHOUT THE WRITTEN PERMISSION FROM ONEHYDRAULICS IS PROHIBITED.

MP MALE X JIC MALE ADAPTERS

CONTINUED...

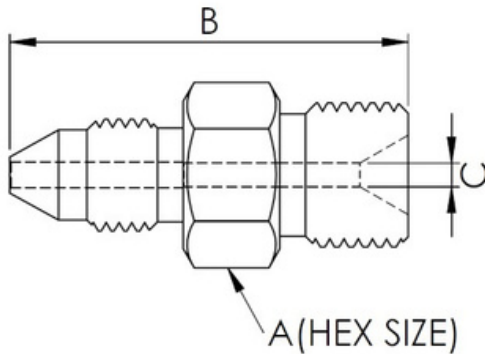


DESCRIPTION	PART NUMBER	PSI	(A) HEX	(B) OAL	(C) THRU	LBS
3/4 MP M X 3/8 JIC M	X12M06J15	15,000	1.125	2.25	0.203	0.35
3/4 MP M X 1/2 JIC M	X12M08J15	15,000	1.125	2.35	0.312	0.36
3/4 MP M X 3/4 JIC M	X12M12J10	10,000	1.125	2.56	0.430	0.46
3/4 MP M X 1 JIC M	X12M16J10	10,000	1.375	2.73	0.430	0.61
1 MP M X 1/2 JIC M	X16M08J15-K	15,000	1.125	3.71	0.312	0.57
1 MP M X 3/4 JIC M	X16M12J10-K	10,000	1.125	3.92	0.500	0.63
1 MP M X 1 JIC M	X16M16M20-1P	10,000	1.375	4.10	0.531	0.80

• K = KIT INCLUDING COLLETS

THE INFORMATION CONTAINED IN THIS DRAWING IS THE SOLE PROPERTY OF ONEHYDRAULICS.
 ANY REPRODUCTION IN PART OR AS A WHOLE WITHOUT THE WRITTEN PERMISSION FROM ONEHYDRAULICS IS PROHIBITED.

MP MALE X TYPE-M MALE ADAPTERS



DESCRIPTION	PART NUMBER	PSI	(A) HEX	(B) OAL	(C) THRU	LBS
1/4 MP M X 9/16 TYPE M	X4M09TM20	20,000	0.625	1.55	0.093	0.08
1/4 MP M X 3/4 TYPE M	X4M12TM20	20,000	0.750	1.68	0.101	0.12
1/4 MP M X 1 TYPE M	X4M16TM20	20,000	1.000	1.80	0.101	0.24
3/8 MP M X 9/16 TYPE M	X6M09TM20	20,000	0.625	1.69	0.093	0.10
3/8 MP M X 3/4 TYPE M	X6M12TM20	20,000	0.750	1.81	0.196	0.14
3/8 MP M X 1 TYPE M	X6M16TM20	20,000	1.000	1.94	0.196	0.25
9/16 MP M X 9/16 TYPE M	X9M09TM20	20,000	0.875	2.02	0.086	0.19
9/16 MP M X 3/4 TYPE M	X9M12TM20	20,000	0.875	2.00	0.307	0.20
9/16 MP M X 1 TYPE M	X9M16TM20	20,000	1.000	2.13	0.307	0.30
9/16 MP M X 1-5/16 TYPE M	X9M21TM20	20,000	1.375	2.25	0.307	0.51
3/4 MP M X 9/16 TYPE M	X12M09TM20	20,000	1.125	2.19	0.093	0.35
3/4 MP M X 3/4 TYPE M	X12M12TM20	20,000	1.125	2.31	0.390	0.41
3/4 MP M X 1 TYPE M	X12M16TM20	20,000	1.125	2.31	0.390	0.41
3/4 MP M X 1-5/16 TYPE M	X12M21TM20	20,000	1.125	3.93	0.120	0.60

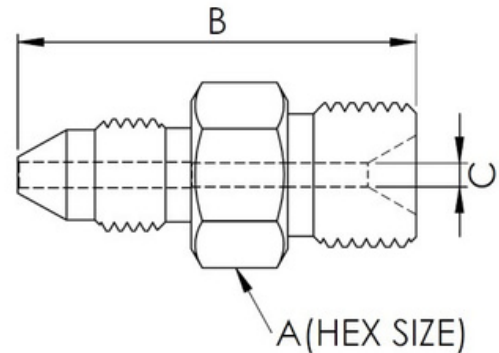
CONTINUED...

• K = KIT INCLUDING COLLETS

THE INFORMATION CONTAINED IN THIS DRAWING IS THE SOLE PROPERTY OF ONEHYDRAULICS. ANY REPRODUCTION IN PART OR AS A WHOLE WITHOUT THE WRITTEN PERMISSION FROM ONEHYDRAULICS IS PROHIBITED.

MP MALE X TYPE M MALE ADAPTERS

CONTINUED...

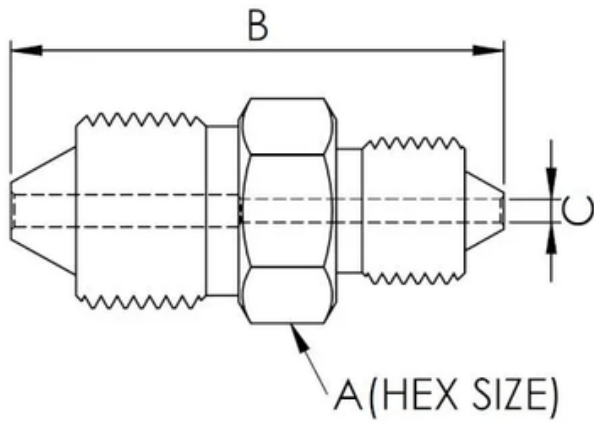


DESCRIPTION	PART NUMBER	PSI	(A) HEX	(B) OAL	(C) THRU	LBS
1 MP M X 9/16 TYPE M	X16M09TM20-K	20,000	1.125	3.55	0.093	0.57
1 MP M X 9/16 TYPE M	X16M12TM20-K	20,000	1.125	3.68	0.312	0.58
1 MP M X 1 TYPE M	X16M16TM20-K	20,000	1.125	3.68	0.390	0.62
1 MP M X 1 TYPE M (1PC)	X16M16TM20-1P	20,000	1.375	3.00	0.390	0.85
1 MP M X 1-5/16 TYPE M	X16M21TM20-K	20,000	1.375	3.80	0.531	0.78
1 MP M X 1-5/16 TYPE M (1PC)	X16M21TM20-1P	20,000	1.375	3.000	0.531	0.87

• K = KIT INCLUDING COLLETS

THE INFORMATION CONTAINED IN THIS DRAWING IS THE SOLE PROPERTY OF ONEHYDRAULICS.
 ANY REPRODUCTION IN PART OR AS A WHOLE WITHOUT THE WRITTEN PERMISSION FROM ONEHYDRAULICS IS PROHIBITED.

HP MALE X HP MALE ADAPTERS

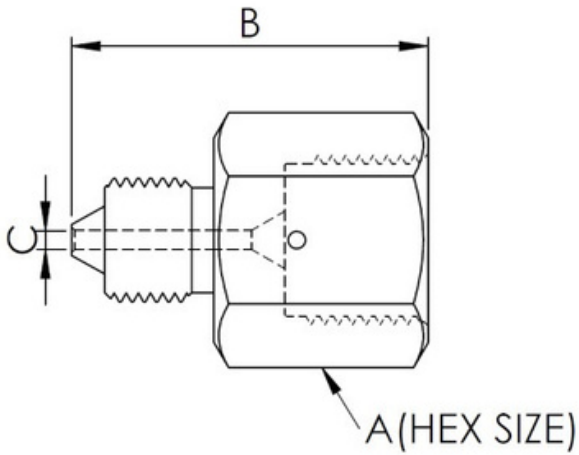


DESCRIPTION	PART NUMBER	PSI	(A) HEX	(B) OAL	(C) THRU	LBS
1/4 HP M X 1/4 HP M	X4H04H60	60,000	0.625	1.67	0.086	0.10
1/4 HP M X 3/8 HP M	X4H06H60	60,000	0.750	1.90	0.086	0.15
1/4 HP M X 9/16 HP M	X4H09H60	60,000	1.125	2.15	0.086	0.38
3/8 HP M X 3/8 HP M	X6H06H60	60,000	0.750	2.13	0.120	0.20
3/8 HP M X 9/16 HP M	X6H09H60	60,000	1.125	2.38	0.120	0.43
9/16 HP M X 9/16 HP M	X9H09H60	60,000	1.125	2.50	0.182	0.55

- BH = BULKHEAD
- K = KIT INCLUDING COLLETS

THE INFORMATION CONTAINED IN THIS DRAWING IS THE SOLE PROPERTY OF ONEHYDRAULICS.
 ANY REPRODUCTION IN PART OR AS A WHOLE WITHOUT THE WRITTEN PERMISSION FROM ONEHYDRAULICS IS PROHIBITED.

HP MALE X HP FEMALE ADAPTERS

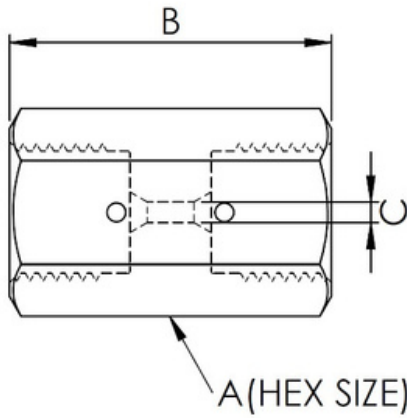


DESCRIPTION	PART NUMBER	PSI	(A) HEX	(B) OAL	(C) THRU	LBS
1/4 HP M X 3/8 HP F	X4H06HF60-K	60,000	1.000	1.62	0.140	0.19
1/4 HP M X 9/16 HP F	X4H09HF60-K	60,000	1.375	1.97	0.086	0.44
3/8 HP M X 1/4 HP F	X6H04HF60-K	60,000	0.750	1.66	0.086	0.15
3/8 HP M X 9/16 HP F	X6H09HF60-K	60,000	1.375	2.20	0.120	0.48
9/16 HP M X 1/4 HP F	X9H04HF60-K	60,000	1.125	1.77	0.086	0.41
9/16 HP M X 3/8 HP F	X9H06HF60-K	60,000	1.125	1.97	0.120	0.43
9/16 HP M X 9/16 HP F	X9H09HF60-K	60,000	1.375	2.15	0.182	0.52

- BH = BULKHEAD
- K = KIT INCLUDING COLLETS

THE INFORMATION CONTAINED IN THIS DRAWING IS THE SOLE PROPERTY OF ONEHYDRAULICS.
 ANY REPRODUCTION IN PART OR AS A WHOLE WITHOUT THE WRITTEN PERMISSION FROM ONEHYDRAULICS IS PROHIBITED.

HP FEMALE X HP FEMALE ADAPTERS



DESCRIPTION	PART NUMBER	PSI	(A) HEX	(B) OAL	(C) THRU	LBS
1/4 HP F X 1/4 HP F	X4HF04HF60-K	60,000	0.750	1.34	0.086	0.12
1/4 HP F X 1/4 HP F	X4HF04HF60-BH-K	60,000	0.750	1.34	0.086	0.12
1/4 HP F X 3/8 HP F	X4HF06HF60-K	60,000	1.000	1.77	0.086	0.33
1/4 HP F X 9/16 HP F	X4HF09HF60-K	60,000	1.375	1.95	0.086	0.67
3/8 HP F X 3/8 HP F	X6HF06HF60-K	60,000	1.000	1.74	0.120	0.28
3/8 HP F X 3/8 HP F	X6HF06HF60-BH-K	60,000	1.000	1.74	0.120	0.28
3/8 HP F X 9/16 HP F	X6HF09HF60-K	60,000	1.375	2.10	0.120	0.70
9/16 HP F X 9/16 HP F	X9HF09HF60-K	60,000	1.375	2.15	0.182	0.58
9/16 HP F X 9/16 HP F	X9HF09HF60-BH-K	60,000	1.375	2.15	0.182	0.58

- BH = BULKHEAD
- K = KIT INCLUDING COLLETS

THE INFORMATION CONTAINED IN THIS DRAWING IS THE SOLE PROPERTY OF ONEHYDRAULICS. ANY REPRODUCTION IN PART OR AS A WHOLE WITHOUT THE WRITTEN PERMISSION FROM ONEHYDRAULICS IS PROHIBITED.

HP MALE X BSP MALE ADAPTERS

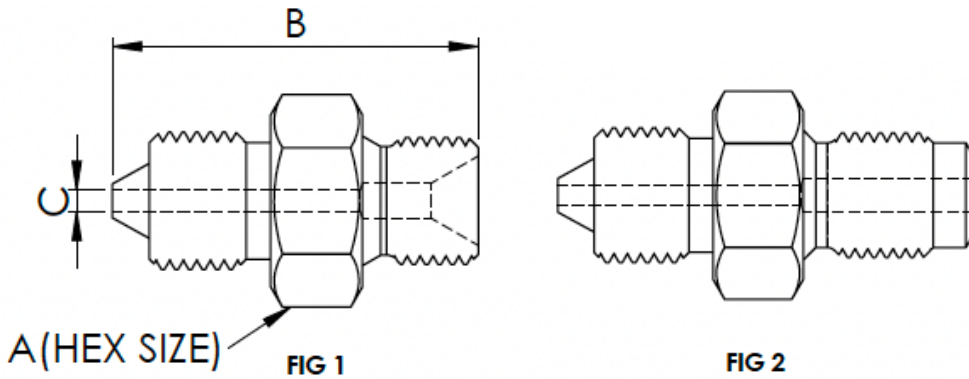


FIGURE 1

DESCRIPTION	PART NUMBER	PSI	(A) HEX	(B) OAL	(C) THRU	LBS
1/4 HP M X 1/4 BSP M	X4H04B30	30,000	0.750	1.49	0.086	0.10
1/4 HP M X 3/8 BSP M	X4H06B30	30,000	0.875	1.49	0.086	0.13
3/8 HP M X 3/8 BSP M	X6H06B30	30,000	0.875	1.72	0.120	0.18
9/16 HP M X 1/4 BSP M	X9H04B30	30,000	1.125	1.97	0.140	0.38
3/8 HP M X 1/2 BSP M	X9H08B30	30,000	1.125	2.09	0.182	0.42

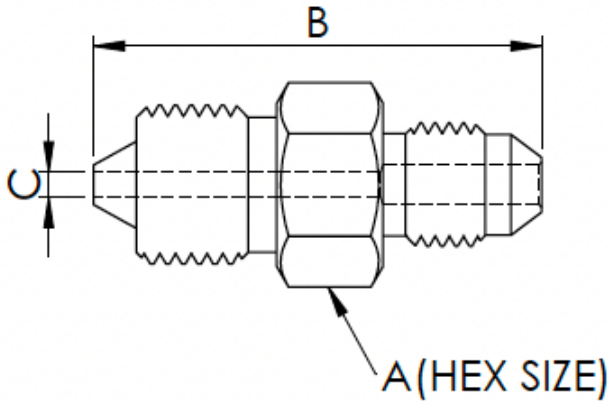
FIGURE 1

DESCRIPTION	PART NUMBER	PSI	(A) HEX	(B) OAL	(C) THRU	LBS
1/4 HP M X 1/4 BSP M EXT	X4H04BEXT30	30,000	0.750	1.74	0.086	0.11

- BH = BULKHEAD
- K = KIT INCLUDING COLLETS

THE INFORMATION CONTAINED IN THIS DRAWING IS THE SOLE PROPERTY OF ONEHYDRAULICS.
 ANY REPRODUCTION IN PART OR AS A WHOLE WITHOUT THE WRITTEN PERMISSION FROM ONEHYDRAULICS IS PROHIBITED.

HP MALE X JIC MALE ADAPTERS

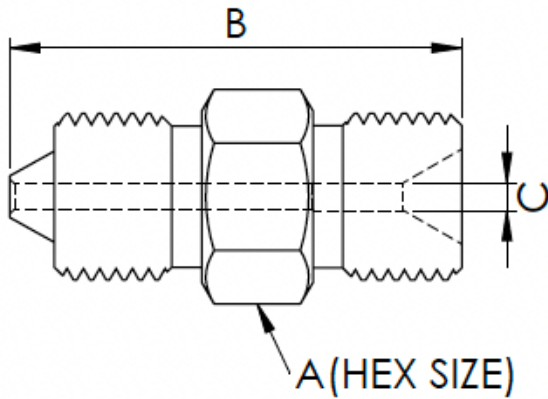


DESCRIPTION	PART NUMBER	PSI	(A) HEX	(B) OAL	(C) THRU	LBS
1/4 HP M X 1/4 JIC M	X4H04J15	15,000	0.625	1.58	0.086	0.08
1/4 HP M X 3/8 JIC M	X4H06J15	15,000	0.625	1.59	0.086	0.09
1/4 HP M X 1/2 JIC M	X4H08J15	15,000	0.750	1.68	0.086	0.13
3/8 HP M X 1/4 JIC M	X6H04J15	15,000	0.750	1.81	0.120	0.14
3/8 HP M X 3/8 JIC M	X6H06J15	15,000	0.750	1.82	0.120	0.15
3/8 HP M X 1/2 JIC M	X6H08J15	15,000	0.750	1.91	0.120	0.18
9/16 HP M X 1/4 JIC M	X9H04J15	15,000	1.125	2.06	0.140	0.37
9/16 HP M X 3/8 JIC M	X9H06J15	15,000	1.125	2.07	0.182	0.38
9/16 HP M X 1/2 JIC M	X9H08J15	15,000	1.125	2.16	0.182	0.40
9/16 HP M X 3/4 JIC M	X9H12J10	10,000	1.125	2.37	0.182	0.48
9/16 HP M X 1 JIC M	X9H16J10	10,000	1.375	2.55	0.182	0.67

- BH = BULKHEAD
- K = KIT INCLUDING COLLETS

THE INFORMATION CONTAINED IN THIS DRAWING IS THE SOLE PROPERTY OF ONEHYDRAULICS. ANY REPRODUCTION IN PART OR AS A WHOLE WITHOUT THE WRITTEN PERMISSION FROM ONEHYDRAULICS IS PROHIBITED.

HP MALE X TYPE-M MALE ADAPTERS



DESCRIPTION	PART NUMBER	PSI	(A) HEX	(B) OAL	(C) THRU	LBS
1/4 HP M X 9/16 TYPE M	X4H09TM40	40,000	0.625	1.58	0.086	0.08
1/4 HP M X 3/4 TYPE M	X4H12TM30	30,000	0.750	1.65	0.086	0.13
3/8 HP M X 9/16 TYPE M	X6H09TM40	40,000	0.750	1.75	0.093	0.15
3/8 HP M X 3/4 TYPE M	X6H12TM30	30,000	0.750	1.88	0.120	0.18
3/8 HP M X 7/8 TYPE M	X6H14TM40	40,000	0.875	2.00	0.120	0.25
9/16 HP M X 9/16 TYPE M	X9H09TM40	40,000	1.125	2.00	0.093	0.38
9/16 HP M X 3/4 TYPE M	X9H12TM30	30,000	1.125	2.13	0.182	0.40
9/16 HP M X 7/8 TYPE M	X9H14TM40	40,000	1.125	2.25	0.150	0.46
9/16 HP M X 1 TYPE M	X9H16TM30	30,000	1.125	2.13	0.182	0.45
9/16 HP M X 1-1/8 TYPE M	X9H18TM50	50,000	1.125	2.44	0.182	0.58
9/16 HP M X 1-5/16 TYPE M	X9H21TM20	20,000	1.375	2.25	0.182	0.63
1 HP M X 3/4 TYPE M	X16H12TM30-K	30,000	1.125	3.68	0.312	0.64
1 HP M X 1 TYPE M	X16H16TM30-K	30,000	1.125	3.68	0.390	0.67

- BH = BULKHEAD
- K = KIT INCLUDING COLLETS

THE INFORMATION CONTAINED IN THIS DRAWING IS THE SOLE PROPERTY OF ONEHYDRAULICS.
 ANY REPRODUCTION IN PART OR AS A WHOLE WITHOUT THE WRITTEN PERMISSION FROM ONEHYDRAULICS IS PROHIBITED.

BSP MALE X BSP MALE ADAPTERS

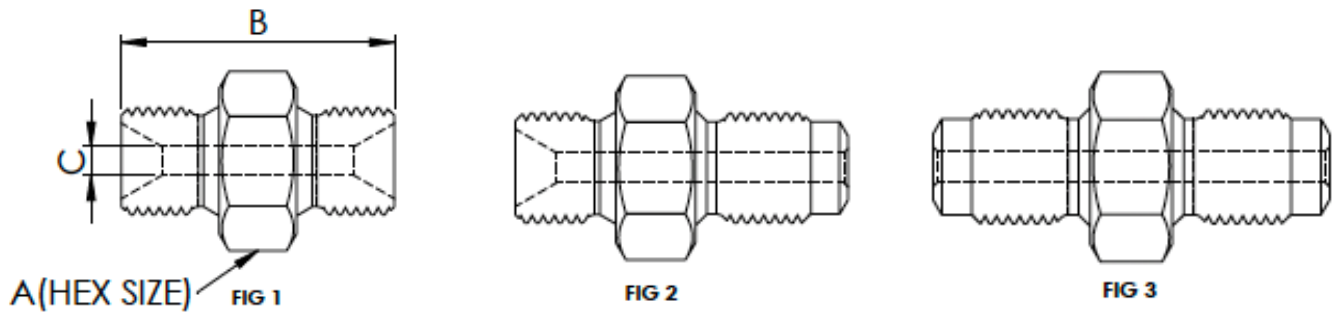


FIGURE 1

DESCRIPTION	PART NUMBER	PSI	(A) HEX	(B) OAL	(C) THRU	LBS
1/4 BSP M X 1/4 BSP M	X4B04B30	30,000	0.750	1.32	0.140	0.09
3/8 BSP M X 3/8 BSP M	X6B06B30	30,000	0.875	1.32	0.140	0.13
1/2 BSP M X 1/2 BSP M	X8B08B30	30,000	1.000	1.80	0.101	0.24
3/4 BSP M X 3/4 BSP M	X12B12B30	30,000	1.250	1.97	0.250	0.46

FIGURE 2

DESCRIPTION	PART NUMBER	PSI	(A) HEX	(B) OAL	(C) THRU	LBS
1/4 BSP M X 1/4 BSP M EXT	X4B04BEXT30	30,000	0.750	1.56	0.140	0.10

FIGURE 3

DESCRIPTION	PART NUMBER	PSI	(A) HEX	(B) OAL	(C) THRU	LBS
1/4 BSP M X 1/4 BSP M EXT	X4B04BEXT30	30,000	0.750	1.56	0.140	0.10

• K = KIT INCLUDING COLLETS

THE INFORMATION CONTAINED IN THIS DRAWING IS THE SOLE PROPERTY OF ONEHYDRAULICS. ANY REPRODUCTION IN PART OR AS A WHOLE WITHOUT THE WRITTEN PERMISSION FROM ONEHYDRAULICS IS PROHIBITED.

BSP MALE X TYPE-M MALE ADAPTERS

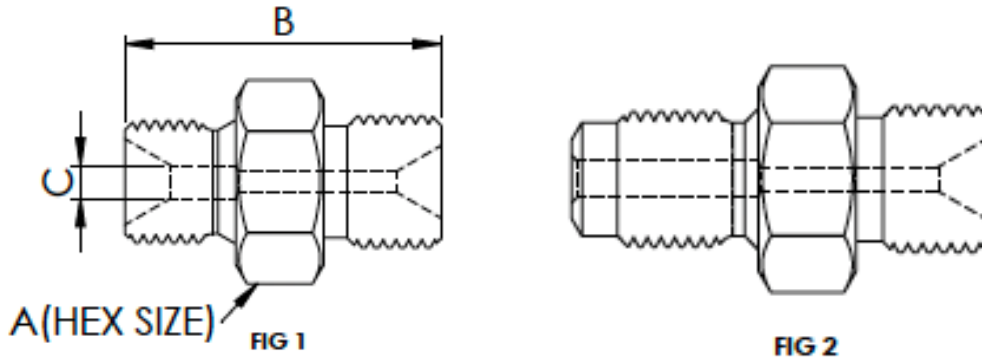


FIGURE 1

DESCRIPTION	PART NUMBER	PSI	(A) HEX	(B) OAL	(C) THRU	LBS
1/4 BSP M X 9/16 TYPE M	X4B09TM30	30,000	0.750	1.35	0.093	0.10
3/8 BSP M X 9/16 TYPE M	X6B09TM30	30,000	0.875	1.35	0.093	0.13
1/2 BSP M X 9/16 TYPE M	X8B09TM30	30,000	1.000	1.59	0.093	0.22

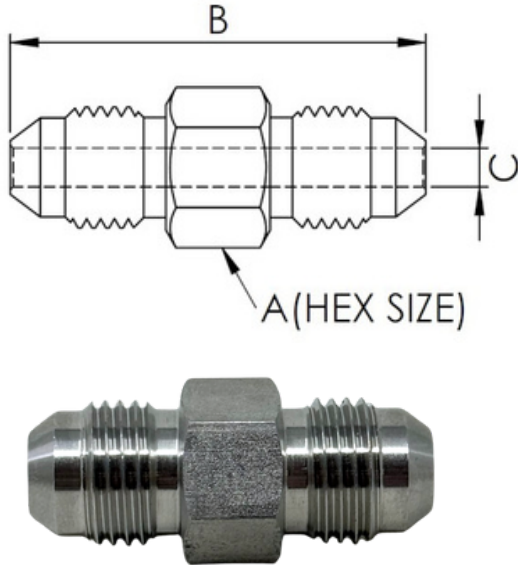
FIGURE 2

DESCRIPTION	PART NUMBER	PSI	(A) HEX	(B) OAL	(C) THRU	LBS
1/4 BSP M X 9/16 TYPE M	X4BEXT09TM30	30,000	0.750	1.59	0.093	0.11

• K = KIT INCLUDING COLLETS

THE INFORMATION CONTAINED IN THIS DRAWING IS THE SOLE PROPERTY OF ONEHYDRAULICS. ANY REPRODUCTION IN PART OR AS A WHOLE WITHOUT THE WRITTEN PERMISSION FROM ONEHYDRAULICS IS PROHIBITED.

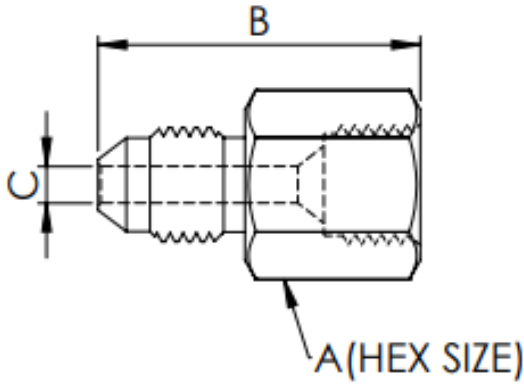
JIC MALE X JIC MALE ADAPTERS



DESCRIPTION	PART NUMBER	PSI	(A) HEX	(B) OAL	(C) THRU	LBS
1/4 JIC M X 1/4 JIC M	X4J04J15	15,000	0.500	1.50	0.140	0.05
1/4 JIC M X 3/8 JIC M	X4J06J15	15,000	0.625	1.50	0.140	0.07
1/4 JIC M X 1/2 JIC M	X4J08J15	15,000	0.750	1.60	0.140	0.12
3/8 JIC M X 3/8 JIC M	X6J06J15	15,000	0.625	1.51	0.203	0.08
3/8 JIC M X 1/2 JIC M	X6J08J15	15,000	0.750	1.60	0.203	0.12
1/2 JIC M X 1/2 JIC M	X8J08J15	15,000	0.750	1.70	0.312	0.14
1 JIC M X 1 JIC M	X16J16J10	10,000	1.375	2.47	0.750	0.58

THE INFORMATION CONTAINED IN THIS DRAWING IS THE SOLE PROPERTY OF ONEHYDRAULICS. ANY REPRODUCTION IN PART OR AS A WHOLE WITHOUT THE WRITTEN PERMISSION FROM ONEHYDRAULICS IS PROHIBITED.

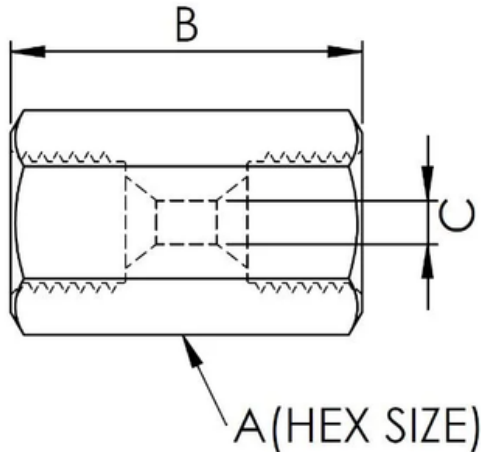
JIC MALE X JIC FEMALE ADAPTERS



DESCRIPTION	PART NUMBER	PSI	(A) HEX	(B) OAL	(C) THRU	LBS
1/4 JIC M X 1/4 JIC F	X4J04JF15	15,000	0.625	1.23	0.140	0.06
1/4 JIC M X 3/8 JIC F	X4J06JF15	15,000	0.750	1.36	0.140	0.10
1/4 JIC M X 1/2 JIC F	X4J08JF15	15,000	0.875	1.42	0.140	0.12
3/8 JIC M X 1/4 JIC F	X6J04JF15	15,000	0.625	1.24	0.203	0.07
3/8 JIC M X 3/8 JIC F	X6J06JF15	15,000	0.750	1.32	0.203	0.10
3/8 JIC M X 1/2 JIC F	X6J08JF15	15,000	0.875	1.43	0.203	0.13
1/2 JIC M X 3/8 JIC F	X8J06JF15	15,000	0.75	1.41	0.203	0.12
1/2 JIC M X 1/2 JIC F	X8J08JF15	15,000	0.875	1.46	0.312	0.14
3/4 JIC M X 3/4 JIC F	X12J12JF10	10,000	1.250	1.87	0.500	0.35
3/4 JIC M X 1 JIC F	X12J16JF10	10,000	1.50	2.03	0.500	0.48
1 JIC M X 1 JIC F	X16J16JF10	10,000	1.50	1.96	0.750	0.47

THE INFORMATION CONTAINED IN THIS DRAWING IS THE SOLE PROPERTY OF ONEHYDRAULICS. ANY REPRODUCTION IN PART OR AS A WHOLE WITHOUT THE WRITTEN PERMISSION FROM ONEHYDRAULICS IS PROHIBITED.

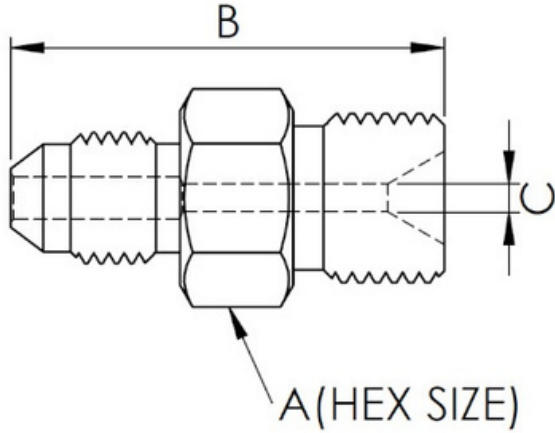
JIC FEMALE X JIC FEMALE ADAPTERS



DESCRIPTION	PART NUMBER	PSI	(A) HEX	(B) OAL	(C) THRU	LBS
1/4 JIC F X 1/4 JIC F	X4JF04JF15	15,000	0.625	1.13	0.140	0.08
1/4 JIC F X 3/8 JIC F	X4JF06JF15	15,000	0.750	1.25	0.140	0.13
1/4 JIC F X 1/2 JIC F	X4JF08JF15	15,000	0.875	1.38	0.140	0.19
3/8 JIC F X 1/2 JIC F	X6JF08JF15	15,000	0.875	1.41	0.203	0.18
3/4 JIC F X 3/4 JIC F	X12JF12JF10	10,000	1.250	1.80	0.500	0.37
3/4 JIC F X 1 JIC F	X12JF16JF10	10,000	1.500	1.95	0.500	0.64
1 JIC F X 1 JIC F	X16JF16JF10	10,000	1.500	1.89	0.750	0.49

THE INFORMATION CONTAINED IN THIS DRAWING IS THE SOLE PROPERTY OF ONEHYDRAULICS. ANY REPRODUCTION IN PART OR AS A WHOLE WITHOUT THE WRITTEN PERMISSION FROM ONEHYDRAULICS IS PROHIBITED.

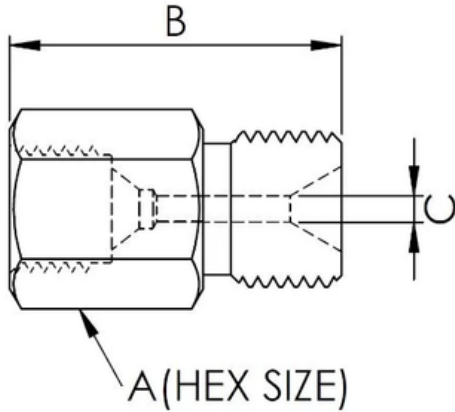
JIC MALE X TYPE-M MALE ADAPTERS



DESCRIPTION	PART NUMBER	PSI	(A) HEX	(B) OAL	(C) THRU	LBS
1/4 JIC M X 9/16 TYPE M	X4J09TM15	15,000	0.625	1.44	0.093	0.08
3/8 JIC M X 9/16 TYPE M	X6J09TM15	15,000	0.625	1.44	0.093	0.09
3/8 JIC M X 1 TYPE M	X6J16TM15	15,000	1.000	1.69	0.203	0.24
1/2 JIC M X 1 TYPE M	X8J16TM15	15,000	1.000	1.79	0.312	0.26
3/4 JIC M X 1 TYPE M	X12J16TM10	10,000	1.125	2.00	0.390	0.37
3/4 JIC M X 1-5/16 TYPE M	X12J21TM10	10,000	1.375	2.12	0.500	0.53

THE INFORMATION CONTAINED IN THIS DRAWING IS THE SOLE PROPERTY OF ONEHYDRAULICS. ANY REPRODUCTION IN PART OR AS A WHOLE WITHOUT THE WRITTEN PERMISSION FROM ONEHYDRAULICS IS PROHIBITED.

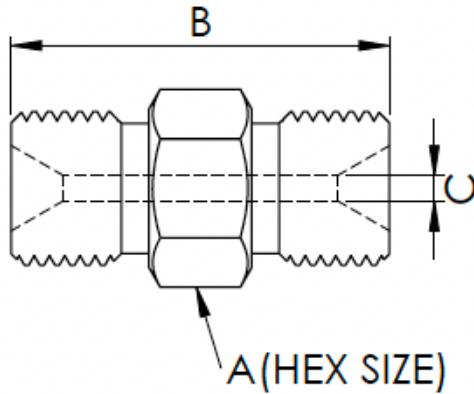
JIC FEMALE X TYPE-M MALE ADAPTERS



DESCRIPTION	PART NUMBER	PSI	(A) HEX	(B) OAL	(C) THRU	LBS
1/4 JIC F X 9/16 TYPE M	X4JF09TM15	15,000	0.625	1.20	0.093	0.08
1/4 JIC F X 3/4 TYPE M	X4JF12TM15	15,000	0.750	1.29	0.140	0.13
3/8 JIC F X 9/16 TYPE M	X6JF09TM15	15,000	0.750	1.30	0.093	0.11
3/8 JIC F X 3/4 TYPE M	X6JF12TM15	15,000	0.750	1.38	0.203	0.13
3/8 JIC F X 1 TYPE M	X6JF16TM15	15,000	1.000	1.41	0.203	0.26
1/2 JIC F X 9/16 TYPE M	X8JF09TM15	15,000	0.875	1.51	0.312	0.49
1/2 JIC F X 1-5/16 TYPE M	X8JF21TM15	10,000	1.375	1.51	0.312	0.49
3/4 JIC F X 1 TYPE M	X12JF16TM10	10,000	1.250	1.69	0.390	0.34
3/4 JIC F X 1-5/16 TYPE M	X12JF21TM10	10,000	1.375	1.68	0.500	0.46

THE INFORMATION CONTAINED IN THIS DRAWING IS THE SOLE PROPERTY OF ONEHYDRAULICS.
 ANY REPRODUCTION IN PART OR AS A WHOLE WITHOUT THE WRITTEN PERMISSION FROM ONEHYDRAULICS IS PROHIBITED.

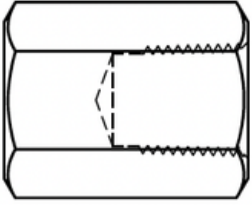
TYPE-M MALE X TYPE-M MALE ADAPTERS



DESCRIPTION	PART NUMBER	PSI	(A) HEX	(B) OAL	(C) THRU	LBS
9/16 TYPE M X 9/16 TYPE M	X9TM09TM40	40,000	0.625	1.38	0.093	0.09
9/16 TYPE M X 3/4 TYPE M	X9TM12TM30	30,000	0.750	1.50	0.093	0.13
9/16 TYPE M X 7/8 TYPE M	X9TM14TM40	40,000	0.875	1.63	0.093	0.20
9/16 TYPE M X 1 TYPE M	X9TM16TM30	30,000	1.000	1.63	0.093	0.25
9/16 TYPE M X 1-1/8 TYPE M	X9TM18TM50	50,000	1.125	1.94	0.093	0.42
9/16 TYPE M X 1-5/16 TYPE M	X9TM21TM20	20,000	1.375	1.75	0.093	0.46
3/4 TYPE M X 3/4 TYPE M	X12TM12TM30	30,000	0.750	1.63	0.312	0.15
3/4 TYPE M X 7/8 TYPE M	X12TM14TM30	30,000	0.875	1.75	0.150	0.23
3/4 TYPE M X 1 TYPE M	X12TM16TM30	30,000	1.000	1.75	0.312	0.26
3/4 TYPE M X 1-5/16 TYPE M	X12TM21TM20	20,000	1.375	1.88	0.312	0.47

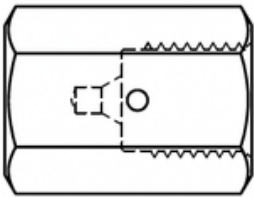
CONTINUED...

NPT FEMALE CAPS



DESCRIPTION	PART NUMBER	PSI	(A) HEX	(B) OAL	LBS
1/4 NPT CAP	X4NCAP15	15,000	0.625	0.90	0.07
3/8 NPT CAP	X6NCAP15	15,000	0.875	1.25	0.18
1/2 NPT CAP	X8NCAP15	15,000	1.125	1.43	0.33
3/4 NPT CAP	X12NCAP10	10,000	1.375	1.50	0.50
1 NPT CAP	X16NCAP10	10,000	1.750	1.88	1.04

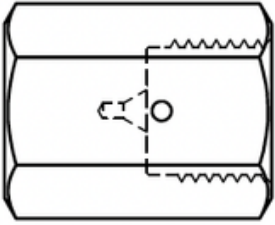
MP FEMALE CAPS



DESCRIPTION	PART NUMBER	PSI	(A) HEX	(B) OAL	LBS
1/4 MP CAP	X4MCAP20-K	20,000	0.625	0.95	0.07
3/8 MP CAP	X6MCAP20-K	20,000	0.750	1.38	0.15
9/16 MP CAP	X9MCAP20-K	20,000	1.000	1.50	0.26
3/4 MP CAP	X12MCAP20-K	20,000	1.375	1.85	0.64
1 MP CAP	X16MCAP20-K	20,000	1.750	2.20	1.10

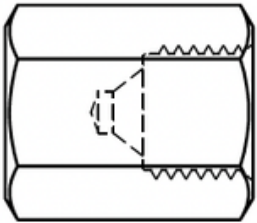
THE INFORMATION CONTAINED IN THIS DRAWING IS THE SOLE PROPERTY OF ONEHYDRAULICS. ANY REPRODUCTION IN PART OR AS A WHOLE WITHOUT THE WRITTEN PERMISSION FROM ONEHYDRAULICS IS PROHIBITED.

HP FEMALE CAPS



DESCRIPTION	PART NUMBER	PSI	(A) HEX	(B) OAL	LBS
1/4 HP CAP	X4HCAP60-K	60,000	0.750	1.07	0.12
3/8 HP CAP	X6HCAP60-K	60,000	1.000	1.26	0.24
9/16 HP CAP	X9HCAP60-K	60,000	1.375	1.50	0.49

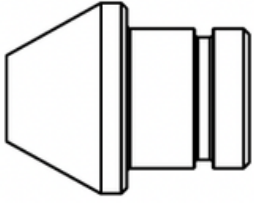
JIC FEMALE CAPS



DESCRIPTION	PART NUMBER	PSI	(A) HEX	(B) OAL	LBS
1/4 JIC CAP	X4JCAP15	15,000	0.625	0.83	0.07
3/8 JIC CAP	X6JCAP15	15,000	0.750	0.93	0.10
1/2 JIC CAP	X8JCAP15	15,000	0.875	1.04	0.14
5/8 JIC CAP	X10JCAP10	10,000	1.000	1.16	0.19
3/4 JIC CAP	X12JCAP10	10,000	1.250	1.31	0.35
1 JIC CAP	X16JCAP10	10,000	1.500	1.50	0.56

THE INFORMATION CONTAINED IN THIS DRAWING IS THE SOLE PROPERTY OF ONEHYDRAULICS. ANY REPRODUCTION IN PART OR AS A WHOLE WITHOUT THE WRITTEN PERMISSION FROM ONEHYDRAULICS IS PROHIBITED.

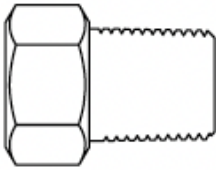
TYPE-M PLUGS FOR CAPS



DESCRIPTION	PART NUMBER	PSI	(A) HEX	(B) OAL	LBS
9/16 TYPE M PLUG FOR CAP	X9TMCAP40-K	40,000	0.485	0.62	0.02
3/4 TYPE M PLUG FOR CAP	X12TMCAP30-K	30,000	0.675	0.75	0.05
1 TYPE M PLUG FOR CAP	X16TMCAP30-K	30,000	0.868	0.90	0.10
1-5/16 TYPE M PLUG FOR CAP	X21TMCAP20-K	20,000	1.215	1.19	0.28

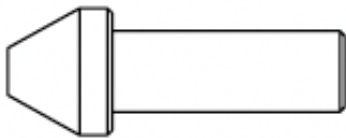
THE INFORMATION CONTAINED IN THIS DRAWING IS THE SOLE PROPERTY OF ONEHYDRAULICS.
 ANY REPRODUCTION IN PART OR AS A WHOLE WITHOUT THE WRITTEN PERMISSION FROM ONEHYDRAULICS IS PROHIBITED.

NPT HEX PLUGS



DESCRIPTION	PART NUMBER	PSI	(A) HEX	(B) OAL	LBS
1/16 NPT HEX PLUG	X1NP15	15,000	0.375	0.63	0.02
1/8 NPT HEX PLUG	X2NP15	15,000	0.500	0.75	0.03
1/4 NPT HEX PLUG	X4NP15	15,000	0.625	0.90	0.07
3/8 NPT HEX PLUG	X6NP15	15,000	0.750	0.98	0.11
1/2 NPT HEX PLUG	X8NP15	15,000	0.875	1.13	0.18
3/4 NPT HEX PLUG	X12NP10	10,000	1.125	1.35	0.36
1 NPT HEX PLUG	X16NP10	10,000	1.375	1.64	0.67

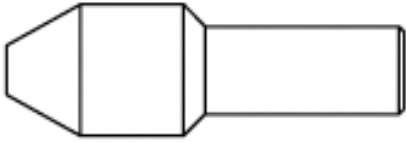
MP PLUGS



DESCRIPTION	PART NUMBER	PSI	(A) HEX	(B) OAL	LBS
1/4 MP PLUG	X4MP20	20,000	0.375	1.00	0.02
3/8 MP PLUG	X6MP20	20,000	0.480	1.26	0.04
9/16 MP PLUG	X9MP20	20,000	0.725	1.56	0.12
3/4 MP PLUG	X12MP20	20,000	0.940	1.75	0.25
1 MP PLUG	X16MP20	20,000	1.250	2.38	0.58

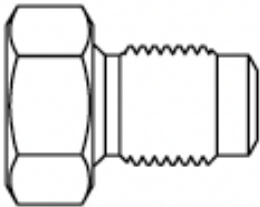
THE INFORMATION CONTAINED IN THIS DRAWING IS THE SOLE PROPERTY OF ONEHYDRAULICS. ANY REPRODUCTION IN PART OR AS A WHOLE WITHOUT THE WRITTEN PERMISSION FROM ONEHYDRAULICS IS PROHIBITED.

HP PLUGS



DESCRIPTION	PART NUMBER	PSI	(A) HEX	(B) OAL	LBS
1/4 HP PLUG	X4HP60	60,000	0.375	1.14	0.02
3/8 HP PLUG	X6HP60	60,000	0.500	1.32	0.05
9/16 HP PLUG	X9HP60	60,000	0.812	1.75	0.16

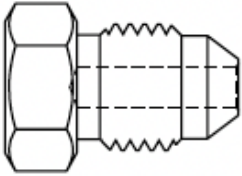
BSP EXTERNAL PLUGS



DESCRIPTION	PART NUMBER	PSI	(A) HEX	(B) OAL	LBS
1/4 BSP EXTERNAL PLUG	X4BEXTP30	30,000	0.750	1.09	0.09

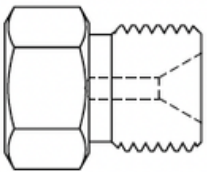
THE INFORMATION CONTAINED IN THIS DRAWING IS THE SOLE PROPERTY OF ONEHYDRAULICS. ANY REPRODUCTION IN PART OR AS A WHOLE WITHOUT THE WRITTEN PERMISSION FROM ONEHYDRAULICS IS PROHIBITED.

JIC HEX PLUGS



DESCRIPTION	PART NUMBER	PSI	(A) HEX	(B) OAL	LBS
1/4 JIC HEX PLUG	X4JP15	15,000	0.500	0.81	0.03
3/8 JIC HEX PLUG	X6JP15	15,000	0.625	0.85	0.05
1/2 JIC HEX PLUG	X8JP15	15,000	0.750	1.04	0.10
5/8 JIC HEX PLUG	X10JP10	10,000	0.875	1.11	0.14
3/4 JIC HEX PLUG	X12JP10	10,000	1.125	1.29	0.26
1 JIC HEX PLUG	X16JP10	10,000	1.375	1.34	0.38

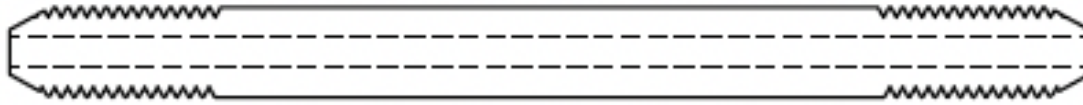
TYPE-M HEX PLUGS



DESCRIPTION	PART NUMBER	PSI	(A) HEX	(B) OAL	LBS
9/16 TYPE-M PLUG	X9TMP50	50,000	0.625	0.88	0.06
3/4 TYPE-M PLUG	X12TMP30	30,000	0.750	1.00	0.10
7/8 TYPE-M PLUG	X14TMP40	40,000	0.875	1.13	0.18
1 TYPE-M PLUG	X16TMP30	30,000	1.000	1.13	0.22
1-1/8 TYPE-M PLUG	X18TMP40	40,000	1.125	1.44	0.39
1-5/16 TYPE-M PLUG	X21TMP20	20,000	1.375	1.25	0.43

THE INFORMATION CONTAINED IN THIS DRAWING IS THE SOLE PROPERTY OF ONEHYDRAULICS. ANY REPRODUCTION IN PART OR AS A WHOLE WITHOUT THE WRITTEN PERMISSION FROM ONEHYDRAULICS IS PROHIBITED.

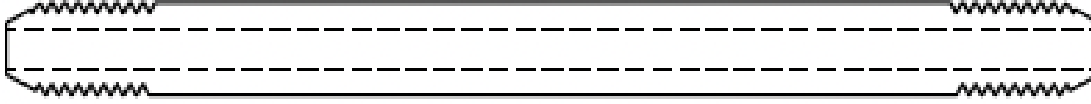
HP ROUND NIPPLES



DESCRIPTION	PART NUMBER	PSI	(A) OD	(B) OAL	THRU	LBS
1/4 HP NIPPLE, 3"	X4H04H-3R60	60,000	0.250	3.00	0.083	0.03
1/4 HP NIPPLE, 6"	X4H04H-6R60	60,000	0.250	6.00	0.083	0.07
1/4 HP NIPPLE, 8"	X4H04H-8R60	60,000	0.250	8.00	0.083	0.10
3/8 HP NIPPLE, 3"	X6H06H-3R60	60,000	0.375	3.00	0.125	0.08
3/8 HP NIPPLE, 6"	X6H06H-6R60	60,000	0.375	6.00	0.125	0.16
9/16 HP NIPPLE, 4"	X9H09H-4R60	60,000	0.562	4.00	0.187	0.23
9/16 HP NIPPLE, 6"	X9H09H-6R60	60,000	0.562	6.00	0.187	0.35

THE INFORMATION CONTAINED IN THIS DRAWING IS THE SOLE PROPERTY OF ONEHYDRAULICS.
 ANY REPRODUCTION IN PART OR AS A WHOLE WITHOUT THE WRITTEN PERMISSION FROM ONEHYDRAULICS IS PROHIBITED.

MP ROUND NIPPLES



DESCRIPTION	PART NUMBER	PSI	(A) OD	(B) OAL	THRU	LBS
1/4 MP NIPPLE, 3"	X4M04M-3R20	20,000	0.250	3.00	0.108	0.03
1/4 MP NIPPLE, 6"	X4M04M-6R20	20,000	0.250	6.00	0.108	0.07
3/8 MP NIPPLE, 3"	X6M06M-3R20	20,000	0.375	3.00	0.203	0.06
3/8 MP NIPPLE, 6"	X6M06M-6R20	20,000	0.375	6.00	0.203	0.13
9/16 MP NIPPLE, 3"	X9M09M-3R20	20,000	0.562	3.00	0.312	0.13
9/16 MP NIPPLE, 4"	X9M09M-4R20	20,000	0.562	4.00	0.312	0.18
9/16 MP NIPPLE, 6"	X9M09M-6R20	20,000	0.562	6.00	0.312	0.28
1 MP NIPPLE, 6"	X16M16M-6R20	20,000	1.000	6.00	0.562	1.05

THE INFORMATION CONTAINED IN THIS DRAWING IS THE SOLE PROPERTY OF ONEHYDRAULICS.
 ANY REPRODUCTION IN PART OR AS A WHOLE WITHOUT THE WRITTEN PERMISSION FROM ONEHYDRAULICS IS PROHIBITED.

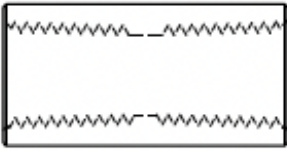
NPT ROUND NIPPLES



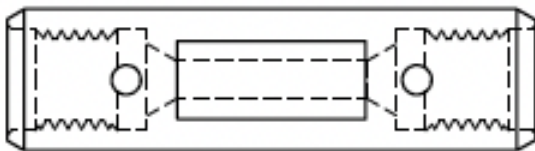
DESCRIPTION	PART NUMBER	PSI	(A) OD	(B) OAL	THRU	LBS
1/4 NPT NIPPLE, 2"	X4N04N-2R15	15,000	0.540	2.00	0.187	0.10
1/4 NPT NIPPLE, 3"	X4N04N-3R15	15,000	0.540	3.00	0.187	0.16
1/4 NPT NIPPLE, 4"	X4N04N-4R15	15,000	0.540	4.00	0.187	0.22
1/4 NPT NIPPLE, 6"	X4N04N-6R15	15,000	0.540	6.00	0.187	0.34
3/8 NPT NIPPLE, 2"	X6N06N-2R15	15,000	0.675	2.00	0.312	0.15
3/8 NPT NIPPLE, 2"	X6N06N-3R15	15,000	0.675	3.00	0.312	0.23
3/8 NPT NIPPLE, 4"	X6N06N-4R15	15,000	0.675	4.00	0.312	0.31
3/8 NPT NIPPLE, 6"	X6N06N-6R15	15,000	0.675	6.00	0.312	0.47
1/2 NPT NIPPLE, 2"	X8N08N-2R15	15,000	0.840	2.00	0.375	0.23
1/2 NPT NIPPLE, 3"	X8N08N-3R15	15,000	0.840	3.00	0.375	0.35
1/2 NPT NIPPLE, 4"	X8N08N-4R15	15,000	0.840	4.00	0.375	0.48
1/2 NPT NIPPLE, 6"	X8N08N-6R15	15,000	0.840	6.00	0.375	0.74
3/4 NPT NIPPLE, 3"	X12N12N-3R10	10,000	1.050	3.00	0.550	0.51
3/4 NPT NIPPLE, 4"	X12N12N-4R10	10,000	1.050	4.00	0.550	0.69
3/4 NPT NIPPLE, 6"	X12N12N-6R10	10,000	1.050	6.00	0.550	1.06
1 NPT NIPPLE, 3"	X16N16N-3R10	10,000	1.312	3.00	0.687	0.78
1 NPT NIPPLE, 4"	X16N16N-4R10	10,000	1.312	4.00	0.687	1.08
1 NPT NIPPLE, 6"	X16N16N-6R10	10,000	1.312	6.00	0.687	1.64

THE INFORMATION CONTAINED IN THIS DRAWING IS THE SOLE PROPERTY OF ONEHYDRAULICS. ANY REPRODUCTION IN PART OR AS A WHOLE WITHOUT THE WRITTEN PERMISSION FROM ONEHYDRAULICS IS PROHIBITED.

NPT SLIMLINES



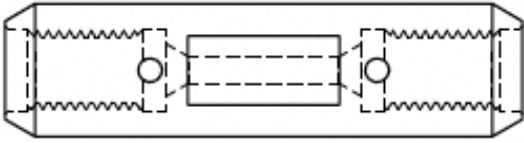
DESCRIPTION	PART NUMBER	PSI	(A) OD	(B) OAL	THRU	LBS
1/16 NPT X 1/16 NPT	X1N01NSL15	15,000	0.437	0.88	0.246	0.02
1/16 NPT X 1/8 NPT	X1N02NSL15	15,000	0.480	1.00	0.246	0.03
1/8 NPT X 1/8 NPT	X2N02NSL15	15,000	0.480	1.00	0.339	0.02
1/8 NPT X 1/4 NPT	X2N04NSL15	15,000	0.540	6.00	0.187	0.34
1/4 NPT X 1/4 NPT	X4N04NSL15	15,000	0.687	1.25	0.437	0.06
3/8 NPT X 3/8 NPT	X6N06NSL15	15,000	0.875	1.38	0.578	0.12
1/2 NPT X 1/2 NPT	X8N08NSL15	15,000	1.125	1.88	0.718	0.29



DESCRIPTION	PART NUMBER	PSI	(A) OD	(B) OAL	THRU	LBS
1/4 MP X 1/4 MP	X4M04MSL20	20,000	0.375	1.40	0.101	0.03
1/4 MP X 3/8 MP	X4M06MSL20	20,000	0.500	1.58	0.101	0.07
1/4 MP X 9/16 MP	X4M09MSL20	20,000	0.687	1.83	0.101	0.14
3/8 MP X 3/8 MP	X6M06MSL20	20,000	0.500	1.50	0.196	0.05
3/8 MP X 9/16 MP	X6M09MF20	20,000	0.687	1.95	0.196	0.14
9/16 MP X 9/16 MP	X9M09MSL20	20,000	0.687	1.79	0.307	0.10

THE INFORMATION CONTAINED IN THIS DRAWING IS THE SOLE PROPERTY OF ONEHYDRAULICS. ANY REPRODUCTION IN PART OR AS A WHOLE WITHOUT THE WRITTEN PERMISSION FROM ONEHYDRAULICS IS PROHIBITED.

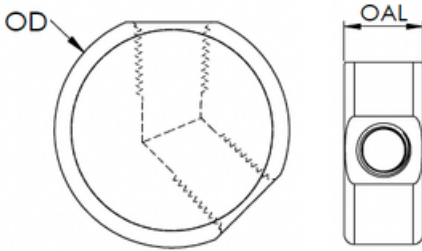
HP SLIMLINES



DESCRIPTION	PART NUMBER	PSI	(A) OD	(B) OAL	THRU	LBS
1/4 HP F X 1/4 HP F	X4H04HSL40	40,000	0.438	1.71	0.086	0.05
3/8 HP F X 3/8 HP F	X6H06HSL40	40,000	0.563	2.11	0.120	0.10
9/16 HP F X 9/16 HP F	X9H09HSL40	40,000	0.750	2.42	0.182	0.19

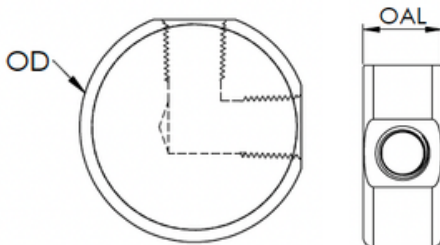
THE INFORMATION CONTAINED IN THIS DRAWING IS THE SOLE PROPERTY OF ONEHYDRAULICS.
 ANY REPRODUCTION IN PART OR AS A WHOLE WITHOUT THE WRITTEN PERMISSION FROM ONEHYDRAULICS IS PROHIBITED.

NPT ROUND 45-DEGREE



DESCRIPTION	PART NUMBER	PSI	OD	OAL	THRU	LBS
1/4 NPT ROUND 45-DEG	X4NLR15-45	15,000	1.750	0.75	0.437	0.41
3/8 NPT ROUND 45-DEG	X6NLR15-45	15,000	2.000	0.88	0.578	0.60
1/2 NPT ROUND 45-DEG	X8NLR15-45	15,000	2.250	1.13	0.718	0.96
3/4 NPT ROUND 45-DEG	X12NLR10-45	10,000	3.000	1.38	0.922	2.12

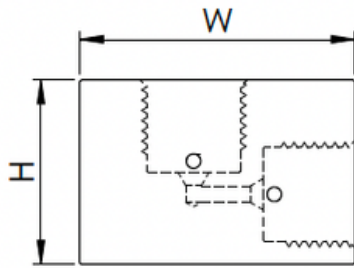
NPT ROUND 90-DEGREE



DESCRIPTION	PART NUMBER	PSI	OD	OAL	THRU	LBS
1/8 NPT ROUND 90-DEG	X2NLR15	15,000	1.750	0.75	0.437	0.41
1/4 NPT ROUND 90-DEG	X4NLR15	15,000	1.750	0.75	0.437	0.41
3/8 NPT ROUND 90-DEG	X6NLR15	15,000	2.000	0.88	0.578	0.60
1/2 NPT ROUND 90-DEG	X8NLR15	15,000	2.250	1.13	0.718	0.96
3/4 NPT ROUND 90-DEG	X12NLR10	10,000	3.000	1.38	0.922	2.12
1 NPT ROUND 90-DEG	X16NLR10	10,000	4.000	1.75	1.156	4.91

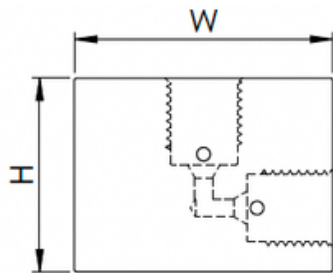
THE INFORMATION CONTAINED IN THIS DRAWING IS THE SOLE PROPERTY OF ONEHYDRAULICS. ANY REPRODUCTION IN PART OR AS A WHOLE WITHOUT THE WRITTEN PERMISSION FROM ONEHYDRAULICS IS PROHIBITED.

HP FLAT SQUARE ELBOW



DESCRIPTION	PART NUMBER	PSI	H	W	BLOCK THICKNESS	THRU
1/4 HP ELBOW	X4HLQ60-K	60,000	1.010	1.51	0.750	0.086
3/8 HP ELBOW	X6HLQ60-K	60,000	1.500	2.00	1.000	0.120
9/16 HP ELBOW	X9HLQ60-K	60,000	1.880	2.62	1.500	0.250

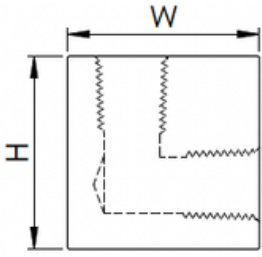
MP FLAT SQUARE ELBOW



DESCRIPTION	PART NUMBER	PSI	OD	OAL	THRU	LBS
1/4 MP ELBOW	X4MLQ20-K	20,000	1.120	1.50	0.625	0.101
3/8 MP ELBOW	X6MLQ20-K	20,000	1.380	2.00	0.750	0.196
9/16 MP ELBOW	X9MLQ20-K	20,000	1.750	2.50	1.000	0.307
3/4 MP ELBOW	X12MLQ20-K	20,000	2.250	3.00	1.380	0.433
1 MP ELBOW	X16MLQ20-K	20,000	3.000	4.12	1.750	0.531

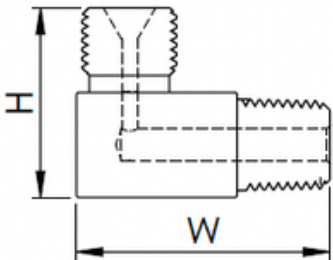
THE INFORMATION CONTAINED IN THIS DRAWING IS THE SOLE PROPERTY OF ONEHYDRAULICS. ANY REPRODUCTION IN PART OR AS A WHOLE WITHOUT THE WRITTEN PERMISSION FROM ONEHYDRAULICS IS PROHIBITED.

NPT FLAT FEMALE ELBOW



DESCRIPTION	PART NUMBER	PSI	H	W	BLOCK THICKNESS	THRU
1/4 NPT ELBOW FEMALE	X4NLQ15	15,000	1.500	1.50	0.750	0.437

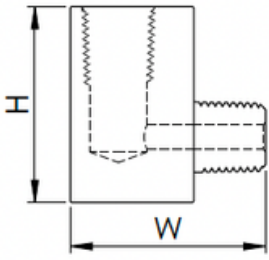
NPT FLAT MALE ELBOW



DESCRIPTION	PART NUMBER	PSI	H	W	BLOCK THICKNESS	THRU
1/4 NPT X 1/4 NPT	X4NLQ15-MALE	15,000	1.180	1.50	0.625	0.187
1/4 NPT X 9/16 TYPE M	X4N09TMLQ15	15,000	1.130	1.50	0.625	0.093

THE INFORMATION CONTAINED IN THIS DRAWING IS THE SOLE PROPERTY OF ONEHYDRAULICS. ANY REPRODUCTION IN PART OR AS A WHOLE WITHOUT THE WRITTEN PERMISSION FROM ONEHYDRAULICS IS PROHIBITED.

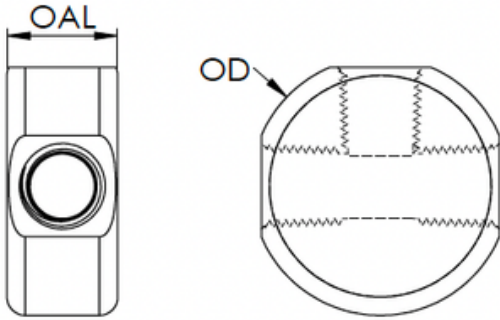
NPT FLAT STREET ELBOW



DESCRIPTION	PART NUMBER	PSI	H	W	BLOCK THICKNESS	THRU
1/4 NPT STREET ELBOW	X4NSLQ15	15,000	1.500	1.50	0.187	0.28
3/8 NPT STREET ELBOW	X6NSLQ15	15,000	1.500	1.75	1.000	0.312
1/2 NPT STREET ELBOW	X8NSLQ15	15,000	2.000	2.25	1.250	0.375

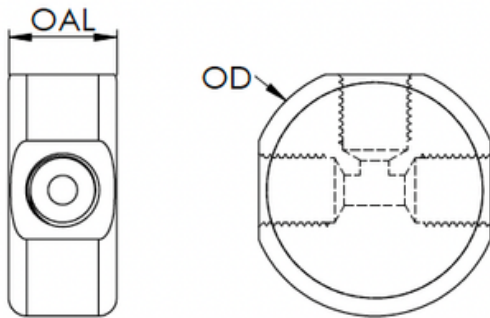
THE INFORMATION CONTAINED IN THIS DRAWING IS THE SOLE PROPERTY OF ONEHYDRAULICS.
 ANY REPRODUCTION IN PART OR AS A WHOLE WITHOUT THE WRITTEN PERMISSION FROM ONEHYDRAULICS IS PROHIBITED.

NPT ROUND TEES



DESCRIPTION	PART NUMBER	PSI	OD	OAL	THRU	LBS
1/4 NPT ROUND TEE	X4NTR15	15,000	1.750	0.75	0.437	0.38
3/8 NPT ROUND TEE	X6NTR15	15,000	2.000	0.88	0.578	0.53
1/2 NPT ROUND TEE	X8NTR15	15,000	2.250	1.13	0.718	0.86
3/4 NPT ROUND TEE	X12NTR10	10,000	3.000	1.38	0.922	1.90
1 NPT ROUND TEE	X16NTR10	10,000	4.000	1.75	1.156	4.42

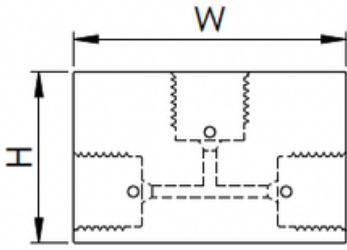
BSP ROUND TEES



DESCRIPTION	PART NUMBER	PSI	OD	OAL	THRU	LBS
1/4 BSP ROUND TEE	X4BTR30	30,000	1.750	0.75	0.203	0.41

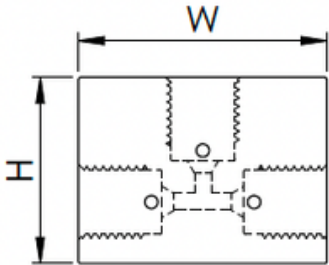
THE INFORMATION CONTAINED IN THIS DRAWING IS THE SOLE PROPERTY OF ONEHYDRAULICS. ANY REPRODUCTION IN PART OR AS A WHOLE WITHOUT THE WRITTEN PERMISSION FROM ONEHYDRAULICS IS PROHIBITED.

HP SQUARE TEES



DESCRIPTION	PART NUMBER	PSI	H	W	BLOCK THICKNESS	THRU
1/4 HP SQUARE TEE	X4HTQ60-K	60,000	1.250	2.00	1.000	0.086
3/8 HP SQUARE TEE	X6HTQ60-K	60,000	1.560	2.00	1.000	0.120
9/16 HP SQUARE TEE	X9HTQ60-K	60,000	2.120	2.62	1.500	0.182

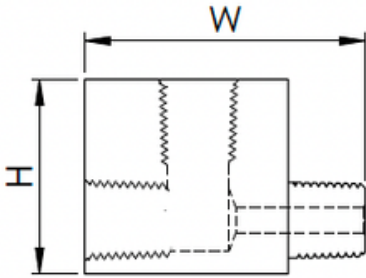
MP SQUARE TEES



DESCRIPTION	PART NUMBER	PSI	H	W	BLOCK THICKNESS	THRU
1/4 MP SQUARE TEE	X4MTQ20-K	20,000	1.120	1.50	0.625	0.101
1/4 MP SQUARE TEE	X6MTQ20-K	60,000	1.560	2.00	1.000	0.120
9/16 MP SQUARE TEE	X9MTQ20-K	20,000	1.750	2.50	1.000	0.307
3/4 MP SQUARE TEE	X12MTQ20-K	20,000	2.250	3.000	1.375	0.433
1 MP SQUARE TEE	X16MTQ20-K	20,000	3.000	4.12	1.750	0.531

THE INFORMATION CONTAINED IN THIS DRAWING IS THE SOLE PROPERTY OF ONEHYDRAULICS. ANY REPRODUCTION IN PART OR AS A WHOLE WITHOUT THE WRITTEN PERMISSION FROM ONEHYDRAULICS IS PROHIBITED.

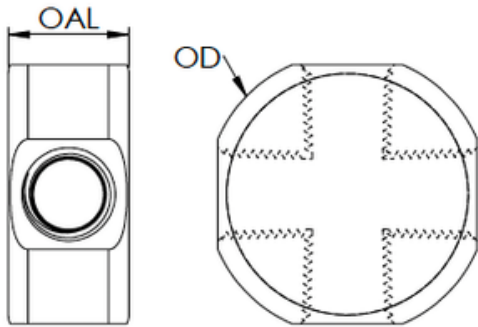
NPT STREET TEES



DESCRIPTION	PART NUMBER	PSI	H	W	BLOCK THICKNESS	THRU
1/4 NPT STREET TEE	X4NSTQ15	15,000	1.38	2.00	0.75	0.187
1/2 NPT STREET TEE	X8NSTQ15	15,000	1.75	3.00	1.250	0.375

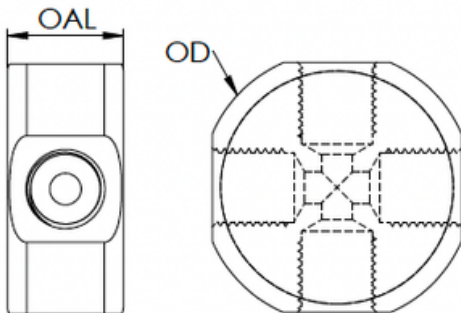
THE INFORMATION CONTAINED IN THIS DRAWING IS THE SOLE PROPERTY OF ONEHYDRAULICS. ANY REPRODUCTION IN PART OR AS A WHOLE WITHOUT THE WRITTEN PERMISSION FROM ONEHYDRAULICS IS PROHIBITED.

NPT ROUND CROSSES



DESCRIPTION	PART NUMBER	PSI	OD	OAL	THRU	LBS
1/8 NPT ROUND	X2NX15	15,000	1.500	0.63	0.339	0.23
1/4 NPT ROUND	X4NX15	15,000	1.750	0.75	0.437	0.33
3/8 NPT ROUND	X6NX15	15,000	2.000	0.88	0.578	0.46
1/2 NPT ROUND	X8NX15	15,000	2.250	1.13	0.718	0.73
3/4 NPT ROUND	X12NX10	15,000	3.000	1.38	0.922	1.65
1 NPT ROUND	X16NX10	15,000	4.000	1.75	1.156	3.94

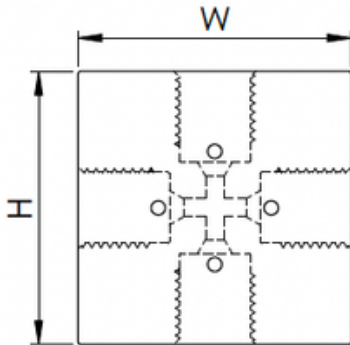
BSP ROUND CROSSES



1/4 BSP ROUND	X4BX30	30,000	1.750	0.75	0.203	0.37
---------------	--------	--------	-------	------	-------	------

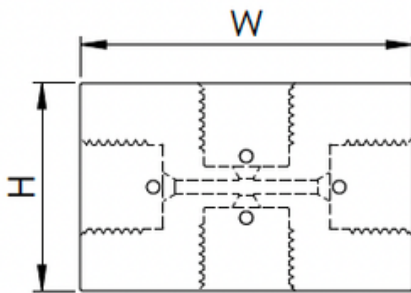
THE INFORMATION CONTAINED IN THIS DRAWING IS THE SOLE PROPERTY OF ONEHYDRAULICS. ANY REPRODUCTION IN PART OR AS A WHOLE WITHOUT THE WRITTEN PERMISSION FROM ONEHYDRAULICS IS PROHIBITED.

MP SQUARE CROSSES



DESCRIPTION	PART NUMBER	PSI	H	W	BLOCK THICKNESS	THRU
1/4 MP CROSS	X4MXQ20-K	20,000	1.500	1.50	0.625	0.101
3/8 MP CROSS	X6MXQ20-K	20,000	2.000	2.00	0.750	0.196
9/16 MP CROSS	X9MXQ20-K	20,000	2.500	2.50	1.000	0.307
3/4 MP CROSS	X12MXQ20-K	20,000	3.000	3.00	1.375	0.433
1 MP CROSS	X16MXQ20-K	20,000	4.120	4.12	1.750	0.531

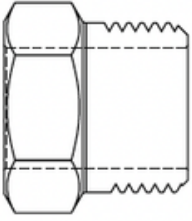
HP SQUARE CROSSES



1/4 HP CROSS	X4HXQ60-K	60,000	1.250	2.00	1.000	0.086
3/8 HP CROSS	X6HXQ60-K	60,000	2.120	2.00	1.000	0.120
9/16 HP CROSS	X9HXQ60-K	60,000	2.750	2.62	1.500	0.250

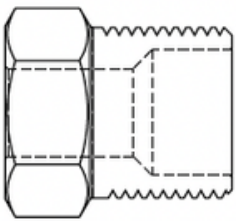
THE INFORMATION CONTAINED IN THIS DRAWING IS THE SOLE PROPERTY OF ONEHYDRAULICS. ANY REPRODUCTION IN PART OR AS A WHOLE WITHOUT THE WRITTEN PERMISSION FROM ONEHYDRAULICS IS PROHIBITED.

MP GLAND NUTS



DESCRIPTION	PART NUMBER	PSI	HEX	OAL	LBS
1/4 MP GLAND NUT	X4MG20	20,000	0.500	0.56	0.02
3/8 MP GLAND NUT	X6MG20	20,000	0.625	0.73	0.03
9/16 MP GLAND NUT	X9MG20	20,000	0.875	0.88	0.08
3/4 MP GLAND NUT	X12MG20	20,000	1.187	1.00	0.14
1 MP GLAND NUT	X16MG20	20,000	1.375	1.38	0.26
1-1/2 MP GLAND NUT	X24MG15	15,000	2.000	2.10	0.68

HP GLAND NUTS



DESCRIPTION	PART NUMBER	PSI	HEX	OAL	LBS
1/4 HP GLAND NUT	X4HG60	60,000	0.625	0.83	0.04
3/8 HP GLAND NUT	X6HG60	60,000	0.812	1.13	0.10
9/16 HP GLAND NUT	X9HG60	60,000	1.187	1.50	0.29

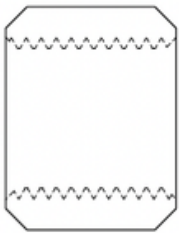
THE INFORMATION CONTAINED IN THIS DRAWING IS THE SOLE PROPERTY OF ONEHYDRAULICS. ANY REPRODUCTION IN PART OR AS A WHOLE WITHOUT THE WRITTEN PERMISSION FROM ONEHYDRAULICS IS PROHIBITED.

MP COLLARS



DESCRIPTION	PART NUMBER	PSI	OD	OAL	LBS
1/4 MP COLLAR	X4MC20	20,000	0.375	0.22	0.005
3/8 MP COLLAR	X6MC20	20,000	0.480	0.25	0.005
9/16 MP COLLAR	X9MC20	20,000	0.725	0.32	0.02
3/4 MP COLLAR	X12MC20	20,000	0.940	0.39	0.03
1 MP COLLAR	X16MC20	20,000	1.250	0.50	0.07
1-1/2 MP COLLAR	X24MC15	15,000	1.750	0.50	0.11

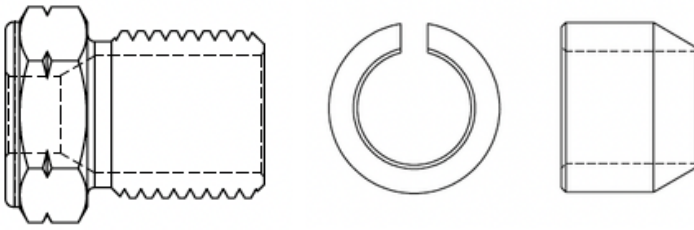
HP COLLARS



DESCRIPTION	PART NUMBER	PSI	HEX	OAL	LBS
1/4 HP COLLAR	X4HC60	60,000	0.625	0.83	0.04
3/8 HP COLLAR	X6HC60	60,000	0.500	0.53	0.01
9/16 HP COLLAR	X9HC60	60,000	0.812	0.63	0.05

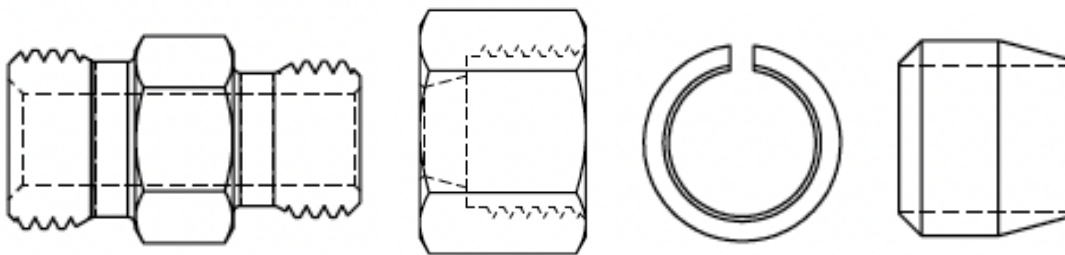
THE INFORMATION CONTAINED IN THIS DRAWING IS THE SOLE PROPERTY OF ONEHYDRAULICS. ANY REPRODUCTION IN PART OR AS A WHOLE WITHOUT THE WRITTEN PERMISSION FROM ONEHYDRAULICS IS PROHIBITED.

HP ANTI-VIBE ASSEMBLIES



DESCRIPTION	PART NUMBER	PSI	HEX	OAL	LBS
1/4 HP BODY	X4HG60-AV	20,000	0.625	0.87	0.04
3/8 HP BODY	X6HG60-AV	60,000	0.812	1.18	0.09
9/16 HP BODY	X9HG60-AV	60,000	1.187	1.58	0.26

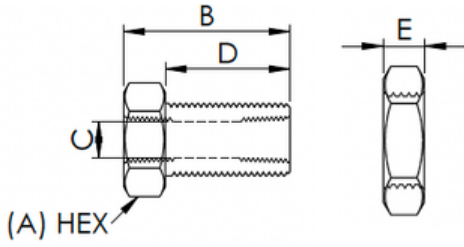
MP ANTI-VIBE ASSEMBLIES



DESCRIPTION	PART NUMBER	PSI	HEX	OAL	LBS
1/4 MP BODY	X4MG20-AV	20,000	0.625	0.83	0.04
3/8 MP BODY	X6MG20-AV	20,000	0.500	0.53	0.01
9/16 MP BODY	X9MG20-AV	20,000	0.875	1.50	0.12
3/4 MP BODY	X12MG20-AV	20,000	1.125	1.63	0.20
1 MP BODY	X16MG20-AV	20,000	1.375	2.00	0.37

THE INFORMATION CONTAINED IN THIS DRAWING IS THE SOLE PROPERTY OF ONEHYDRAULICS. ANY REPRODUCTION IN PART OR AS A WHOLE WITHOUT THE WRITTEN PERMISSION FROM ONEHYDRAULICS IS PROHIBITED.

NPT BULKHEAD



DESCRIPTION	PART NUMBER	PSI	(A) HEX	(B) OAL	(C) THRU	(D)	(E)
1/4 NPT BULKHEAD	X4NF04NF15-BH	15,000	0.625	0.87	0.04	1.50	0.38
3/8 NPT BULKHEAD	X6NF06NF15-BH	15,000	1.375	2.38	0.578	1.63	0.38
1/2 NPT BULKHEAD	X8NF08NF15-BH	15,000	1.375	2.50	0.718	1.50	0.38

THE INFORMATION CONTAINED IN THIS DRAWING IS THE SOLE PROPERTY OF ONEHYDRAULICS. ANY REPRODUCTION IN PART OR AS A WHOLE WITHOUT THE WRITTEN PERMISSION FROM ONEHYDRAULICS IS PROHIBITED.