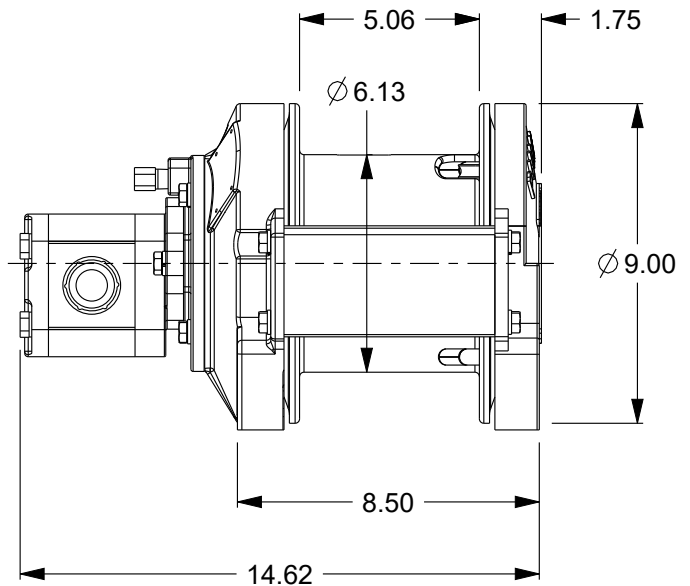
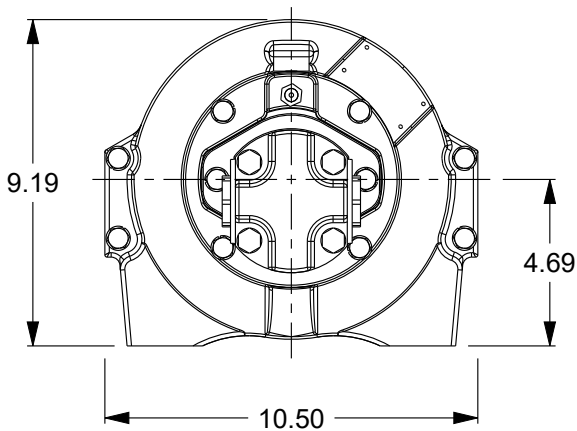
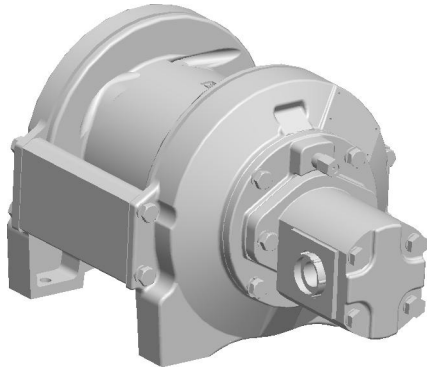


Planetary Winch

Model: PL2-12-228-1-B

Est. Weight: 101 lb October 11, 2020



Layer	Rope Capacity (ft)	Linepull (lb)	Linespeed (fpm)
1	28	2200	41
2	59	2010	45
3	93	1850	49
4	130	1710	53

Performance is based on 7.7 gpm @ 2200 psi with Ø.31" rope (Maximum rope capacity)

The rated line pulls are for the product only. Consult the rope manufacturer for rope ratings.

